

connector - for refeed containers, with Multi-Grip



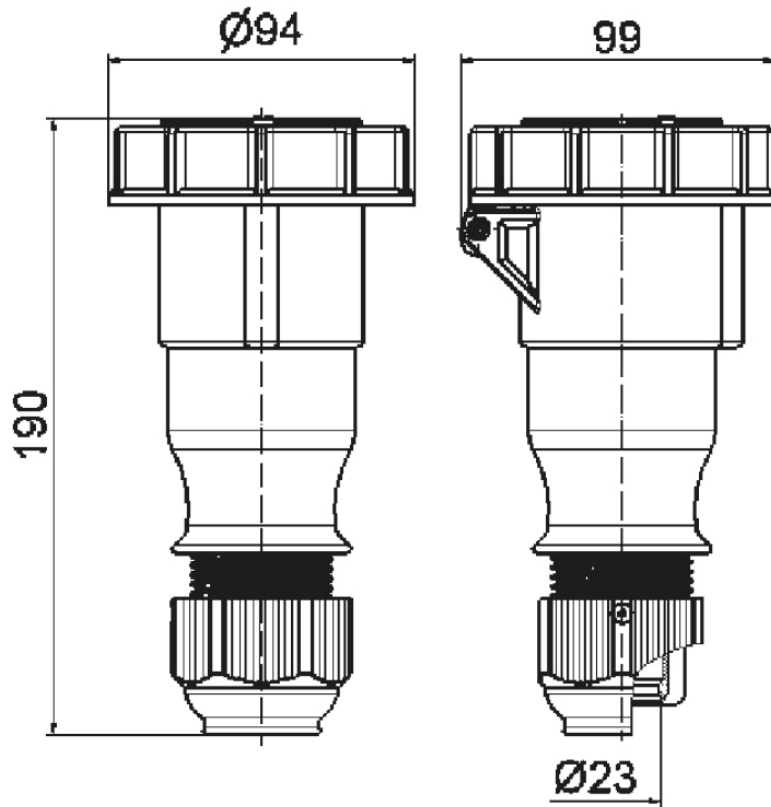
Product description	
BALS-Prd.-Nr	310567
EAN	4024941148795
product category (PG)	TLS connector Multi-Grip cable gland
current (A)	32A
number of poles (P99)	4p
number of poles (P)	3P+PE
position of earth contact (H)	3 h
voltage (V)	380 and 440V
frequency (HZ)	50 and 60Hz

Product description	
protection degree (SA)	IP67
colour code 1 (KF1)	red RAL 3000
Colour of appliance	Hinged lid red RAL 3000, Enclosure red RAL 3000, Bayonet ring grey RAL 7035, Cable gland grey RAL 7035
connection design (AT)	with screw terminal
maximum conductor size (LQ)	6,0 qmm
cable entry (KE)	Cable gland
Height	190mm
Width	94mm
Depth	97mm
material of enclosure (GM)	Polyamide
contact	The contact carrier is made of polyamide, the contacts are brass nickel plated

Additional technical information	
	one piece housing, Multi-Grip cable gland with gasket and integrated strain relief, For cable diameter from 11 up to max. 23,5 mm

Logistics data	
Weight/pcs	0.3 kg / Piece
Packaging	Bag
Content amount	1 ST
EAN	4024941148795

Logistics data	
Length	99 mm
Width	94 mm
Height	191 mm
Weight	0.301 kg
Volume	1,777.446 ccm
Packaging	Carton
Content amount	10 ST
EAN	4024941825627
Length	325 mm
Width	217 mm
Height	210 mm
Weight	3.206 kg
Volume	13,588.4 ccm



3 MB 80