

connector - with screwless terminals, for harsh applications

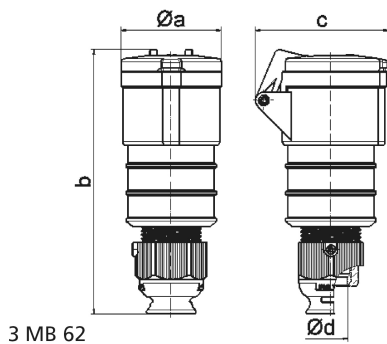


Product description	
BALS-Prd.-Nr	310508
EAN	4024941205214
product group	Quick Connect TE connector
current	32A
number of poles	5p
Arrangement of the phases	3p+N+PE
position of earth contact	5 h
voltage (V)	347/600 up to 400/690V

Product description	
frequency	50 and 60Hz
protection degree	IP44
colour code	black RAL 9005
Colour of appliance	Enclosure black, Hinged lid black, Cable gland grey
connection design	screwless sping/cage/kontex
maximum conductor size (LQ)	6,0 qmm
cable entry (KE)	Cable gland
Height	199mm
Width	72mm
Depth	99mm
material of enclosure	Polyamide
contact	The contact carrier is made of high temperature resistant material, the contacts are brass nickel plated

Logistics data	
Weight/pcs	0.326 kg / Piece
Packaging	Bag
Content amount	1 ST
EAN	4024941205214
Length	99 mm
Width	72 mm
Height	199 mm

Logistics data	
Weight	0.327 kg
Volume	1,418.472 ccm
Packaging	Carton
Content amount	10 ST
EAN	4024941838092
Length	325 mm
Width	217 mm
Height	210 mm
Weight	3.466 kg
Volume	13,588.4 ccm



Ampere	16	16	16	32	32	32
Polzahl	3	4	5	3	4	5
a ø	51,0	58,0	65,0	66,5	66,5	72,0
b	156,0	162,0	168,0	195,0	195,0	198,0
c	72,0	78,0	86,0	89,0	89,0	99,0
d ø	18,0	18,0	21,0	23,0	23,0	27,0
Leiter mm ² min	1	1	1	2,5	2,5	2,5
Leiter mm ² max	2,5	2,5	2,5	6	6	6