

connector - with screwless terminals, for harsh applications



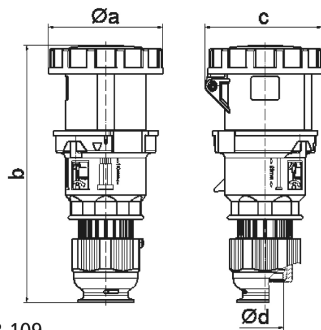
Product description	
BALS-Prd.-Nr	310491
EAN	4024941146944
product group	Quick Connect TE connector
current	63A
number of poles	4p
Arrangement of the phases	3P+PE
position of earth contact	6 h
voltage (V)	380 up to 415V

Product description	
frequency	50 and 60Hz
protection degree	IP67
colour code	red RAL 3000
Colour of appliance	Housing cover red, Collar red, Hinged lid red, Bayonet ring grey, Cable gland grey
connection design	screwless spring terminal
maximum conductor size (LQ)	16,0 qmm
cable entry (KE)	Cable gland
Height	251mm
Width	110mm
Depth	115mm
material of enclosure	Polyamide
contact	The contact carrier is made of high temperature resistant material, the contacts are brass nickel plated

Additional technical information	
	For cable diameter from 16 up to max. 36 mm, Screwless housing connection, Multi-Grip cable gland with gasket, integrated cable clamp and additional water evacuation openings

Logistics data	
Weight/pcs	0.8 kg / Piece
Packaging	Carton
Content amount	5 ST

Logistics data	
EAN	4024941958868
Length	325 mm
Width	217 mm
Height	210 mm
Weight	4.206 kg
Volume	13,588.4 ccm



3 MB 109

Ampere	63	63	63				
Polzahl	3	4	5				
a ø	110,0	110,0	110,0				
b	251,0	251,0	251,0				
c	113,0	113,0	113,0				
d ø	36,0	36,0	36,0				
Leiter mm ² min	6	6	6				
Leiter mm ² max	16	16	16				