

for Event technology



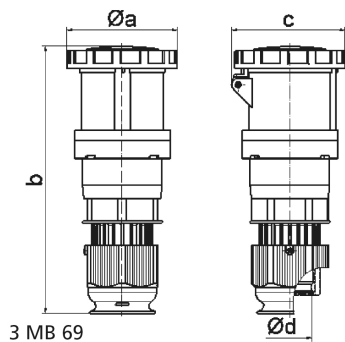
Product description	
BALS-Prd.-Nr	310466
EAN	4024941142663
product group	TE connector
current	125A
number of poles	5p
Arrangement of the phases	3p+N+PE
position of earth contact	6 h
voltage (V)	200/346 up to 240/415V
frequency	50 and 60Hz

Product description	
protection degree	IP67
colour code	red RAL 3000
Colour of appliance	Collar black, Pusher black, Hinged lid black, Bayonet ring black, Housing cover black, Cable gland black
connection design	kontex contact
maximum conductor size (LQ)	50.0 qmm
cable entry (KE)	Cable gland
Height	295mm
Width	125mm
Depth	128mm
material of enclosure	Polyamide
contact	The contact carrier is made of high temperature resistant material, the contacts are brass nickel plated

Additional technical information	
	For cable diameter from 26 up to max. 50 mm, Screwless housing connection, Multi-Grip cable gland with gasket, integrated cable clamp and additional water evacuation openings

Logistics data	
Weight/pcs	1.3 kg / Piece
Packaging	Bag
Content amount	1 ST
EAN	4024941142663

Logistics data	
Length	128 mm
Width	125 mm
Height	295 mm
Weight	1.301 kg
Volume	4,720 ccm
Packaging	Carton
Content amount	5 ST
EAN	4024941840637
Length	345 mm
Width	345 mm
Height	217 mm
Weight	6.835 kg
Volume	24,276 ccm



Ampere	125	125	125					
Polzahl	3	4	5					
a ø	125,0	125,0	125,0					
b	300,0	300,0	300,0					
c	128,0	128,0	128,0					
d ø	50,0	50,0	50,0					
Leiter mm ² min	16	16	16					
Leiter mm ² max	50	50	50					