

connector - for refeed containers, with cable gland

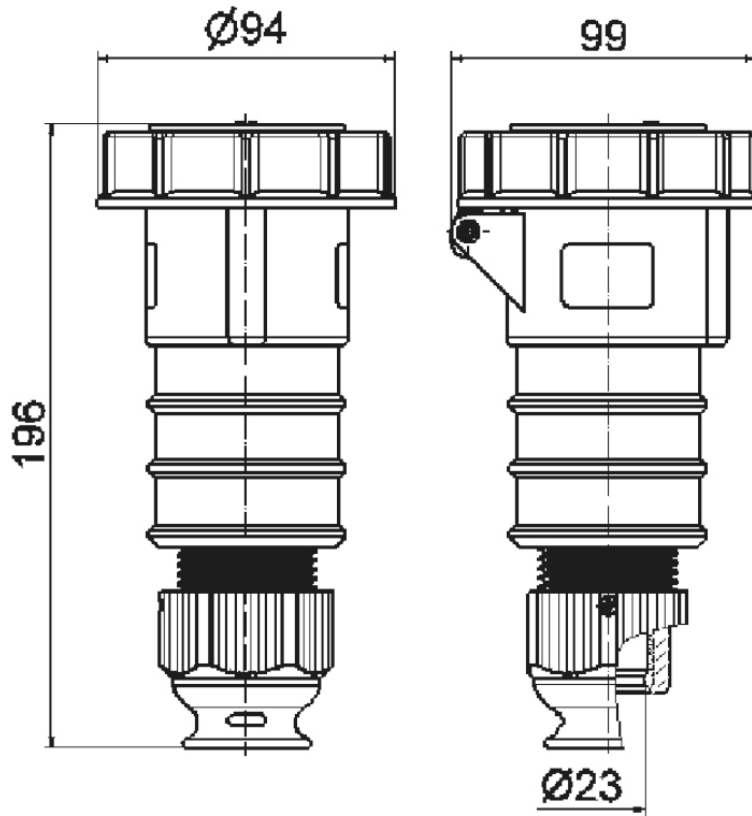


Product description	
BALS-Prd.-Nr	310426
EAN	4024941107105
product group	Quick Connect TE connector
current	32A
number of poles	4p
Arrangement of the phases	3P+PE
position of earth contact	3 h
voltage (V)	380 and 440V
frequency	50 and 60Hz

Product description	
protection degree	IP67
colour code	red RAL 3000
Colour of appliance	Hinged lid red, Enclosure red, Bayonet ring grey, Cable gland grey
connection design	screwless spring/cage/kontex
maximum conductor size (LQ)	6,0 qmm
cable entry (KE)	Cable gland
Height	198mm
Width	94mm
Depth	97mm
material of enclosure	Polyamide
contact	The contact carrier is made of high temperature resistant material, the contacts are brass nickel plated

Logistics data	
Weight/pcs	0.329 kg / Piece
Packaging	Bag
Content amount	1 ST
EAN	4024941107105
Length	99 mm
Width	94 mm
Height	196 mm

Logistics data	
Weight	0.33 kg
Volume	1,823.976 ccm
Packaging	Carton
Content amount	10 ST
EAN	4024941962605
Length	325 mm
Width	217 mm
Height	210 mm
Weight	3.496 kg
Volume	13,588.4 ccm



3 MB 72