

connector - with screw terminals one piece housing



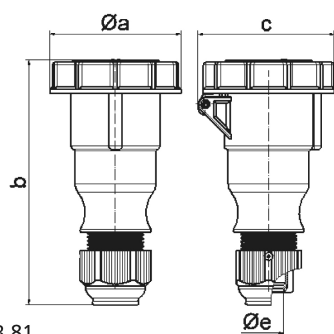
Product description	
BALS-Prd.-Nr	310333
EAN	4024941097123
product category (PG)	TLS connector Multi-Grip cable gland
current (A)	16A
number of poles (P99)	3p
number of poles (P)	2P+PE
position of earth contact (H)	6 h
Voltage	200 up to 250V
frequency (HZ)	50 and 60Hz

Product description	
protection degree (SA)	IP67
colour code 1 (KF1)	blue RAL 5015
Colour of appliance	Enclosure blue, Hinged lid blue, Cable gland grey
connection design (AT)	screw terminal
maximum conductor size (LQ)	2,5 qmm
cable entry (KE)	Cable gland
Height	157mm
Width	71mm
Depth	77mm
material of enclosure (GM)	Polyamide
contact	The contact carrier is made of polyamide, the contacts are brass nickel plated

Additional technical information	
	one piece housing, Multi-Grip cable gland with gasket and integrated strain relief, For cable diameter from 8 up to max. 18 mm

Logistics data	
Weight/pcs	0.16 kg / Piece
Packaging	Bag
Content amount	1 ST
EAN	4024941097123
Length	77 mm

Logistics data	
Width	71 mm
Height	157 mm
Weight	0.161 kg
Volume	858.319 ccm
Packaging	Carton
Content amount	10 ST
EAN	4024941968546
Length	275 mm
Width	175 mm
Height	137 mm
Weight	1.725 kg
Volume	5,737.5 ccm



3 MB 81

Ampere	16	16	16	32	32	32
Polzahl	3	4	5	3	4	5
a ø	70,5	78,0	86,5	94,0	94,0	101,5
b	154,0	155,0	160,0	190,0	190,0	190,0
c	77,0	83,0	93,0	99,0	99,0	107,0
e ø	18,0	18,0	18,0	23,0	23,0	23,0
Leiter mm ² min	1	1	1	2,5	2,5	2,5
Leiter mm ² max	2,5	2,5	2,5	6	6	6