

connector - with screw terminals one piece housing



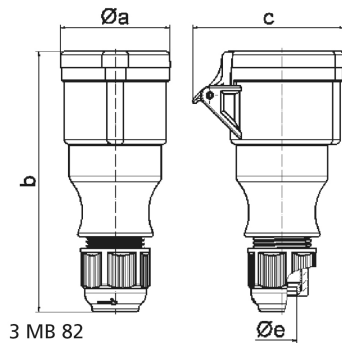
Product description	
BALS-Prd.-Nr	31031-TLS
EAN	4024941199537
product category (PG)	TLS connector Multi-Grip cable gland
current (A)	16A
number of poles (P99)	5p
number of poles (P)	3p+N+PE
position of earth contact (H)	7 h
voltage (V)	277/480 up to 288/500V
frequency (HZ)	50 and 60Hz

Product description	
protection degree (SA)	IP44
colour code 1 (KF1)	black RAL 9005
Colour of appliance	Enclosure black, Hinged lid black, Cable gland grey
connection design (AT)	screw terminal
maximum conductor size (LQ)	2,5 qmm
cable entry (KE)	Cable gland
Height	154mm
Width	65mm
Depth	91mm
material of enclosure (GM)	Polyamide
contact	The contact carrier is made of polyamide, The contacts are brass

Additional technical information	
	one piece housing, Multi-Grip cable gland with gasket and integrated strain relief, For cable diameter from 8 up to max. 18 mm

Logistics data	
Weight/pcs	0.177 kg / Piece
Packaging	Bag
Content amount	1 ST
EAN	4024941199537
Length	91 mm

Logistics data	
Width	65 mm
Height	154 mm
Weight	0.178 kg
Volume	910.91 ccm
Packaging	Carton
Content amount	10 ST
EAN	4024941841764
Length	275 mm
Width	175 mm
Height	137 mm
Weight	1.895 kg
Volume	5,737.5 ccm



Ampere	16	16	16	32	32	32
Polzahl	3	4	5	3	4	5
a ø	51,0	58,0	65,0	67,0	67,0	73,0
b	145,0	148,0	156,0	185,0	185,0	185,0
c	74,0	84,0	90,0	94,0	94,0	102,0
e ø	18,0	18,0	18,0	23,0	23,0	23,0
Leiter mm ² min	1	1	1	2,5	2,5	2,5
Leiter mm ² max	2,5	2,5	2,5	6	6	6