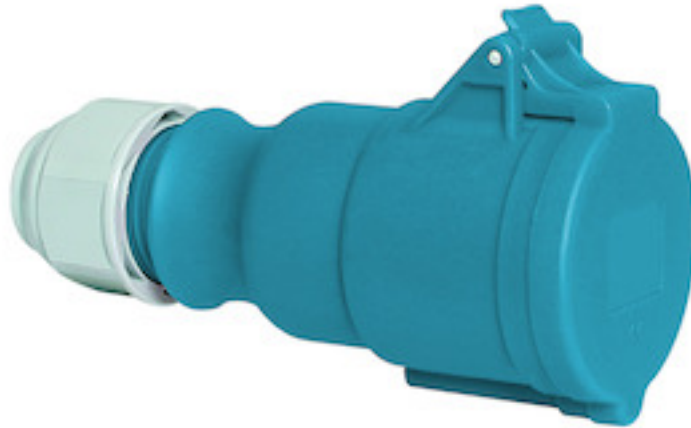


connector - with screw terminals one piece housing



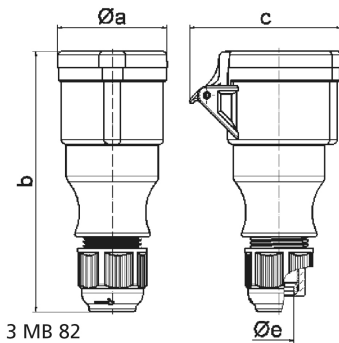
Product description	
BALS-Prd.-Nr	31022-TLS
EAN	4024941199513
product category	TLS connector Multi-Grip cable gland
current	32A
number of poles	5p
number of poles	3p+N+PE
position of earth contact	9 h
voltage	120/208 up to 144/250V
frequency	50 and 60Hz

Product description	
protection degree	IP44
colour code	blue RAL 5015
Colour of appliance	Enclosure blue, Hinged lid blue, Cable gland grey
connection design	screw terminal
maximum conductor size	6,0 qmm
cable entry	Cable gland
Height	184mm
Width	73mm
Depth	102mm
material of enclosure	Polyamide
contact	The contact carrier is made of polyamide, The contacts are brass

Additional technical information	
	one piece housing, Multi-Grip cable gland with gasket and integrated strain relief, For cable diameter from 11 up to max. 23,5 mm

Logistics data	
Weight/pcs	0.282 kg / Piece
Packaging	Bag
Content amount	1 ST
EAN	4024941199513
Length	102 mm

Logistics data	
Width	73 mm
Height	184 mm
Weight	0.283 kg
Volume	1,370.064 ccm
Packaging	Carton
Content amount	10 ST
EAN	4024941841719
Length	295 mm
Width	185 mm
Height	215 mm
Weight	2.984 kg
Volume	9,975 ccm



Ampere	16	16	16	32	32	32
Polzahl	3	4	5	3	4	5
a ø	51,0	58,0	65,0	67,0	67,0	73,0
b	145,0	148,0	156,0	185,0	185,0	185,0
c	74,0	84,0	90,0	94,0	94,0	102,0
e ø	18,0	18,0	18,0	23,0	23,0	23,0
Leiter mm ² min	1	1	1	2,5	2,5	2,5
Leiter mm ² max	2,5	2,5	2,5	6	6	6