

## connector - with screw terminals one piece housing



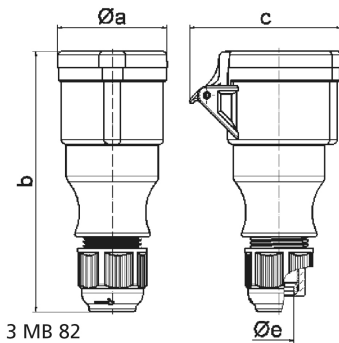
Product description	
BALS-Prd.-Nr	31019-TLS
EAN	4024941199483
product category	TLS connector Multi-Grip cable gland
current	32A
number of poles	4p
number of poles	3P+PE
position of earth contact	10 h
voltage	> 50V
frequency	100 up to 300Hz

Product description	
protection degree	IP44
colour code	green RAL 6002
Colour of appliance	Hinged lid green, Enclosure green, Cable gland grey
connection design	screw terminal
maximum conductor size	6,0 qmm
cable entry	Cable gland
Height	181mm
Width	67mm
Depth	94mm
material of enclosure	Polyamide
contact	The contact carrier is made of polyamide, The contacts are brass

Additional technical information	
	one piece housing, Multi-Grip cable gland with gasket and integrated strain relief, For cable diameter from 11 up to max. 23,5 mm

Logistics data	
Weight/pcs	0.271 kg / Piece
Packaging	Bag
Content amount	1 ST
EAN	4024941199483
Length	94 mm

Logistics data	
Width	67 mm
Height	181 mm
Weight	0.272 kg
Volume	1,139.938 ccm
Packaging	Carton
Content amount	10 ST
EAN	4024941343138
Length	258 mm
Width	183 mm
Height	212 mm
Weight	2.862 kg
Volume	8,750 ccm



Ampere	16	16	16	32	32	32
Polzahl	3	4	5	3	4	5
a ø	51,0	58,0	65,0	67,0	67,0	73,0
b	145,0	148,0	156,0	185,0	185,0	185,0
c	74,0	84,0	90,0	94,0	94,0	102,0
e ø	18,0	18,0	18,0	23,0	23,0	23,0
Leiter mm <sup>2</sup> min	1	1	1	2,5	2,5	2,5
Leiter mm <sup>2</sup> max	2,5	2,5	2,5	6	6	6