

connector - 7 poles, with Multi-Grip



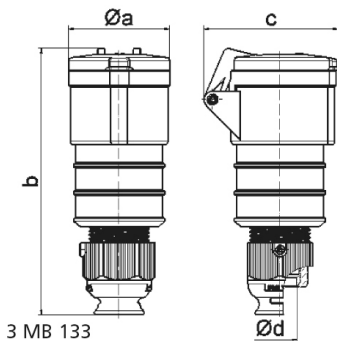
Product description	
BALS-Prd.-Nr	310123
EAN	4024941069403
product group	connector
current	32A
number of poles	7p
Arrangement of the phases	6p+PE
position of earth contact	6 h
voltage (V)	400V
frequency	50 and 60Hz

Product description	
protection degree	IP44
colour code	red RAL 3000
Colour of appliance	Hinged lid red, Enclosure red, Cable gland grey
connection design	screw terminal
maximum conductor size (LQ)	6,0 qmm
cable entry (KE)	Cable gland
Height	199mm
Width	72mm
Depth	99mm
material of enclosure	Polyamide
contact	The contacts are brass, The contact carrier is made of high temperature resistant material

Additional technical information	
	For cable diameter from 13 up to max. 27 mm, Multi-Grip cable gland with gasket, integrated cable clamp and additional water evacuation openings

Logistics data	
Weight/pcs	0.391 kg / Piece
Packaging	Bag
Content amount	1 ST
EAN	4024941069403
Length	99 mm

Logistics data	
Width	72 mm
Height	199 mm
Weight	0.392 kg
Volume	1,418.472 ccm
Packaging	Carton
Content amount	10 ST
EAN	4024941959070
Length	325 mm
Width	217 mm
Height	210 mm
Weight	4.116 kg
Volume	13,588.4 ccm



Ampere	16	32							
Polzahl	7	7							
a \varnothing	65,0	72,0							
b	168,0	198,0							
c	86,0	99,0							
d \varnothing	21,0	27,0							
Leiter mm ² min	1	2,5							
Leiter mm ² max	2,5	6							