

connector - with screwless terminals, for harsh applications



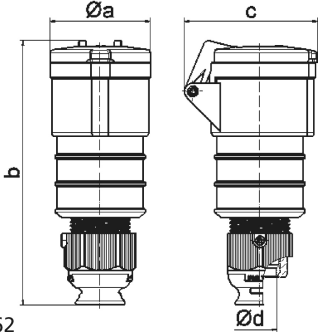
Product description	
BALS-Prd.-Nr	310068
EAN	4024941019651
product group	Quick Connect TE connector
current	16A
number of poles	5p
Arrangement of the phases	3p+N+PE
position of earth contact	1 h
voltage (V)	>50V for all other

Product description	
protection degree	IP44
colour code	gray RAL 7035
Colour of appliance	Hinged lid grey, Cable gland grey, Enclosure grey
connection design	screwless sping/cage/kontex
maximum conductor size (LQ)	2,5 qmm
cable entry (KE)	Cable gland
Height	173mm
Width	65mm
Depth	86mm
material of enclosure	Polyamide
contact	The contact carrier is made of high temperature resistant material, the contacts are brass nickel plated

Additional technical information	
	For cable diameter from 10 up to max. 21 mm, Multi-Grip cable gland with gasket, integrated cable clamp and additional water evacuation openings

Logistics data	
Weight/pcs	0.199 kg / Piece
Packaging	Bag
Content amount	1 ST
EAN	4024941019651

Logistics data	
Length	86 mm
Width	65 mm
Height	173 mm
Weight	0.2 kg
Volume	967.07 ccm
Packaging	Carton
Content amount	10 ST
EAN	4024941836357
Length	245 mm
Width	177 mm
Height	185 mm
Weight	2.123 kg
Volume	7,140 ccm



Ampere	16	16	16	32	32	32
Polzahl	3	4	5	3	4	5
a ø	51,0	58,0	65,0	66,5	66,5	72,0
b	156,0	162,0	168,0	195,0	195,0	198,0
c	72,0	78,0	86,0	89,0	89,0	99,0
d ø	18,0	18,0	21,0	23,0	23,0	27,0
Leiter mm ² min	1	1	1	2,5	2,5	2,5
Leiter mm ² max	2,5	2,5	2,5	6	6	6

3 MB 62