

with cable gland, with bayonet cover



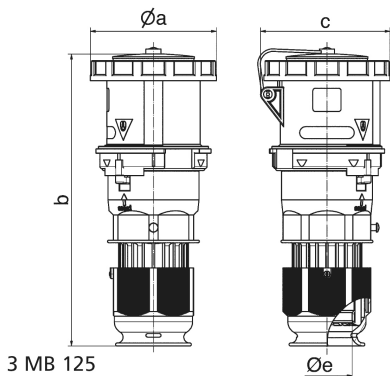
Product description	
BALS-Prd.-Nr	310060
EAN	4024941101400
product group	TN connector
current	125A
number of poles	4p
Arrangement of the phases	3P+PE
position of earth contact	6 h
voltage (V)	380 up to 415V
frequency	50 and 60Hz

Product description	
VG-Type-No.:	VG 96919 DS 033
protection degree	IP67
colour code	bronze-green RAL 6031-F9
Colour of appliance	Pusher black, Cable gland bronze-green, Bayonet ring bronze-green, Housing cover bronze-green, Collar bronze-green, Hinged lid bronze-green
connection design	kontex contact
maximum conductor size (LQ)	50.0 qmm
cable entry (KE)	Cable gland
Height	294mm
Width	125mm
Depth	129mm
material of enclosure	Polyamide
contact	The contact carrier is made of high temperature resistant material, the contacts are brass nickel plated

Additional technical information	
	with pilot contact
	For cable diameter from 26 up to max. 50 mm, Multi-Grip cable gland with gasket, integrated cable clamp and additional water evacuation openings
	With bayonet cover on strap

Logistics data	
Weight/pcs	0.0 kg / Piece

Logistics data	
Packaging	Bag
Content amount	1 ST
EAN	4024941101400
Length	129 mm
Width	125 mm
Height	294 mm
Weight	0.001 kg
Volume	4,740.75 ccm
Packaging	Carton
Content amount	5 ST
EAN	4024941840019
Length	345 mm
Width	345 mm
Height	217 mm
Weight	0.335 kg
Volume	24,276 ccm



Ampere	63	63	63	125	125	125
Polzahl	3	4	5	3	4	5
a ø	110,0	110,0	110,0	125,0	125,0	125,0
b	263,0	263,0	263,0	300,0	300,0	300,0
c	113,0	113,0	113,0	128,0	128,0	128,0
d ø	36,0	36,0	36,0	50,0	50,0	50,0
Leiter mm ² min	6,0	6,0	6,0	16,0	16,0	16,0
Leiter mm ² max	16,0	16,0	16,0	50,0	50,0	50,0