

connector - with screwless terminals, for harsh applications



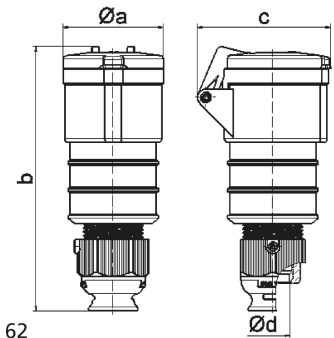
Product description	
BALS-Prd.-Nr	310044
EAN	4024941066709
product group	Quick Connect TE connector
current	32A
number of poles	5p
Arrangement of the phases	3p+N+PE
position of earth contact	1 h
voltage (V)	>50V for all other

Product description	
protection degree	IP44
colour code	gray RAL 7035
Colour of appliance	Hinged lid grey, Cable gland grey, Enclosure grey
connection design	screwless sping/cage/kontex
maximum conductor size (LQ)	6,0 qmm
cable entry (KE)	Cable gland
Height	199mm
Width	72mm
Depth	99mm
material of enclosure	Polyamide
contact	The contact carrier is made of high temperature resistant material, the contacts are brass nickel plated

Additional technical information	
	For cable diameter from 13 up to max. 27 mm, Multi-Grip cable gland with gasket, integrated cable clamp and additional water evacuation openings

Logistics data	
Weight/pcs	0.324 kg / Piece
Packaging	Bag
Content amount	1 ST
EAN	4024941066709

Logistics data	
Length	102 mm
Width	79 mm
Height	188 mm
Weight	0.325 kg
Volume	1,514.904 ccm
Packaging	Carton
Content amount	10 ST
EAN	4024941836364
Length	325 mm
Width	217 mm
Height	210 mm
Weight	3.446 kg
Volume	13,588.4 ccm



3 MB 62

Ampere	16	16	16	32	32	32
Polzahl	3	4	5	3	4	5
a ø	51,0	58,0	65,0	66,5	66,5	72,0
b	156,0	162,0	168,0	195,0	195,0	198,0
c	72,0	78,0	86,0	89,0	89,0	99,0
d ø	18,0	18,0	21,0	23,0	23,0	27,0
Leiter mm ² min	1	1	1	2,5	2,5	2,5
Leiter mm ² max	2,5	2,5	2,5	6	6	6