

connector - with screw terminals one piece housing



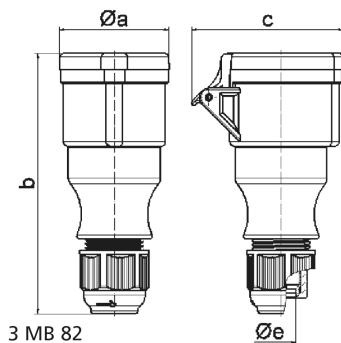
Product description	
BALS-Prd.-Nr	31002-TLS
EAN	4024941199353
product category	TLS connector Multi-Grip cable gland
current	16A
number of poles	3p
number of poles	2P+PE
position of earth contact	9 h
voltage	380 up to 415V
frequency	50 and 60Hz

Product description	
protection degree	IP44
colour code	red RAL 3000
Colour of appliance	Hinged lid red, Enclosure red, Cable gland grey
connection design	screw terminal
maximum conductor size	2,5 qmm
cable entry	Cable gland
Height	149mm
Width	52mm
Depth	74mm
material of enclosure	Polyamide
contact	The contact carrier is made of polyamide, The contacts are brass

Additional technical information	
	one piece housing, Multi-Grip cable gland with gasket and integrated strain relief, For cable diameter from 8 up to max. 18 mm

Logistics data	
Weight/pcs	0.137 kg / Piece
Packaging	Bag
Content amount	1 ST
EAN	4024941199353
Length	74 mm

Logistics data	
Width	52 mm
Height	149 mm
Weight	0.138 kg
Volume	573.352 ccm
Packaging	Carton
Content amount	10 ST
EAN	4024941826914
Length	275 mm
Width	175 mm
Height	137 mm
Weight	1.495 kg
Volume	5,737.5 ccm



Ampere	16	16	16	32	32	32
Polzahl	3	4	5	3	4	5
a ø	51,0	58,0	65,0	67,0	67,0	73,0
b	145,0	148,0	156,0	185,0	185,0	185,0
c	74,0	84,0	90,0	94,0	94,0	102,0
e ø	18,0	18,0	18,0	23,0	23,0	23,0
Leiter mm ² min	1	1	1	2,5	2,5	2,5
Leiter mm ² max	2,5	2,5	2,5	6	6	6