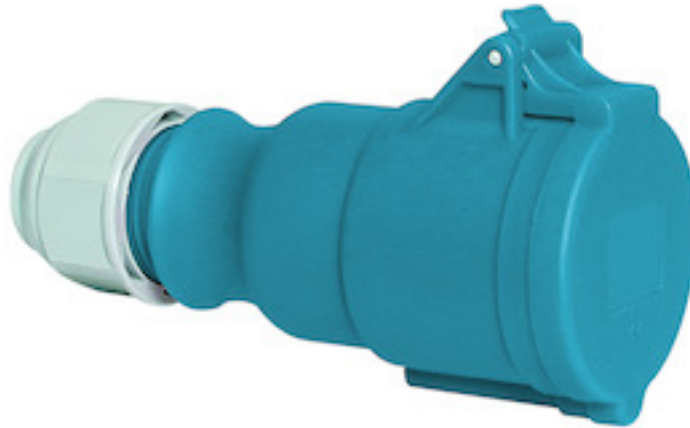


## connector - with screw terminals one piece housing



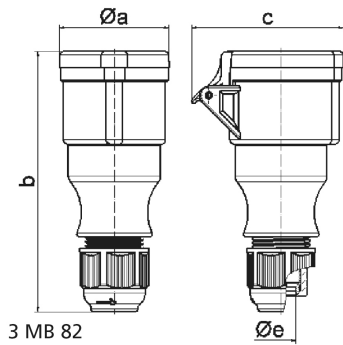
| Product description           |                                      |
|-------------------------------|--------------------------------------|
| BALS-Prd.-Nr                  | 31001-TLS                            |
| EAN                           | 4024941192330                        |
| product category (PG)         | TLS connector Multi-Grip cable gland |
| current (A)                   | 16A                                  |
| number of poles (P99)         | 3p                                   |
| number of poles (P)           | 2P+PE                                |
| position of earth contact (H) | 6 h                                  |
| Voltage                       | 200 up to 250V                       |
| frequency (HZ)                | 50 and 60Hz                          |

| Product description         |  |
|-----------------------------|--|
| protection degree (SA)      | IP44   |
| colour code 1 (KF1)         | blue RAL 5015  |
| Colour of appliance         | Enclosure blue, Hinged lid blue, Cable gland grey                |
| connection design (AT)      | with screw terminal  |
| maximum conductor size (LQ) | 2,5 qmm  |
| cable entry (KE)            | Cable gland  |
| Height                      | 149mm  |
| Width                       | 52mm   |
| Depth                       | 74mm   |
| material of enclosure (GM)  | Polyamide  |
| contact                     | The contact carrier is made of polyamide, The contacts are brass |

| Additional technical information |  |
|----------------------------------|--|
|                                  | one piece housing, Multi-Grip cable gland with gasket and integrated strain relief, For cable diameter from 8 up to max. 18 mm |

| Logistics data |                 |
|----------------|-----------------|
| Weight/pcs     | 0.15 kg / Piece |
| Packaging      | Bag             |
| Content amount | 1 ST            |
| Length         | 74 mm           |
| Width          | 52 mm           |

| Logistics data |               |
|----------------|---------------|
| Height         | 149 mm        |
| Weight         | 0.151 kg      |
| Volume         | 624.89 ccm    |
| Packaging      | Carton        |
| Content amount | 10 ST         |
| EAN            | 4024941828215 |
| Length         | 275 mm        |
| Width          | 175 mm        |
| Height         | 137 mm        |
| Weight         | 1.625 kg      |
| Volume         | 5,737.5 ccm   |



|                            |       |       |       |       |       |       |
|----------------------------|-------|-------|-------|-------|-------|-------|
| Ampere                     | 16    | 16    | 16    | 32    | 32    | 32    |
| Polzahl                    | 3     | 4     | 5     | 3     | 4     | 5     |
| a ø                        | 51,0  | 58,0  | 65,0  | 67,0  | 67,0  | 73,0  |
| b                          | 145,0 | 148,0 | 156,0 | 185,0 | 185,0 | 185,0 |
| c                          | 74,0  | 84,0  | 90,0  | 94,0  | 94,0  | 102,0 |
| e ø                        | 18,0  | 18,0  | 18,0  | 23,0  | 23,0  | 23,0  |
| Leiter mm <sup>2</sup> min | 1     | 1     | 1     | 2,5   | 2,5   | 2,5   |
| Leiter mm <sup>2</sup> max | 2,5   | 2,5   | 2,5   | 6     | 6     | 6     |
|                            |       |       |       |       |       |       |
|                            |       |       |       |       |       |       |
|                            |       |       |       |       |       |       |
|                            |       |       |       |       |       |       |