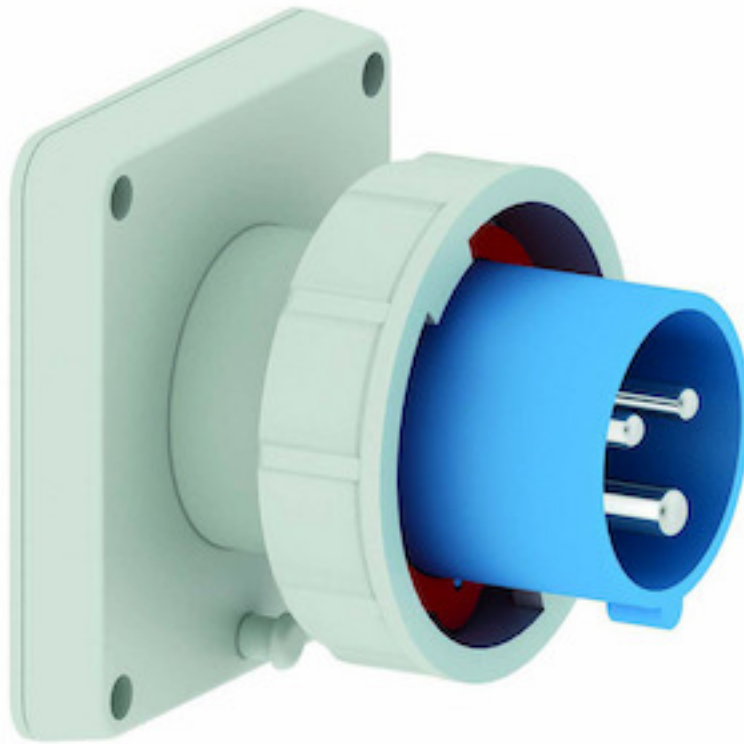


panel mounting appliance inlet, straight - flange 85x85,
fixing centers 70x70

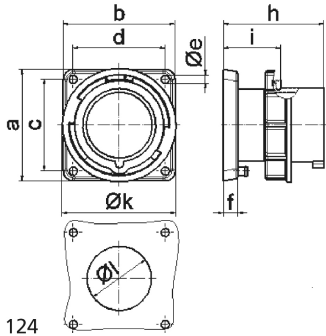


| Product description | |
|-------------------------------|---|
| BALS-Prd.-Nr | 2899 |
| EAN | 4024941028998 |
| product category (PG) | GT panel mounting appliance inlet, straight |
| current (A) | 16A |
| number of poles (P99) | 3p |
| number of poles (P) | 2P+PE |
| position of earth contact (H) | 6 h |
| voltage (V) | 200 up to 250V |

| Product description | |
|--------------------------------|--|
| frequency (HZ) | 50 and 60Hz |
| protection degree (SA) | IP67 |
| colour code 1 (KF1) | blue RAL 5015 |
| Colour of appliance | Collar blue, Bayonet ring grey, Enclosure grey |
| connection design (AT) | screw terminal |
| maximum conductor size (LQ) | 2,5 qmm |
| cable entry (KE) | null |
| Height | 85mm |
| Width | 85mm |
| Depth | 77mm |
| Flange size vertical | 85mm |
| Flange size horizontal | 85mm |
| Drill hole distance vertical | 70mm |
| Drill hole distance horizontal | 70mm |
| material of enclosure (GM) | Polyamide |
| contact | The contact carrier is made of high temperature resistant material, the contacts are brass nickel plated |

| Additional technical information | |
|----------------------------------|---|
| | A retaining device to match the hinged cover of the connector must be provided to ensure the latching feature |

| Logistics data | |
|----------------|------------------|
| Weight/pcs | 0.179 kg / Piece |
| Packaging | Bag |
| Content amount | 1 ST |
| EAN | 4024941028998 |
| Length | 77 mm |
| Width | 85 mm |
| Height | 85 mm |
| Weight | 0.18 kg |
| Volume | 556.325 ccm |
| Packaging | Carton |
| Content amount | 10 ST |
| EAN | 4024941819220 |
| Length | 245 mm |
| Width | 177 mm |
| Height | 185 mm |
| Weight | 1.923 kg |
| Volume | 7,140 ccm |



5 MB 124

| Ampere | 16 | 16 | 16 | 32 | 32 | 32 |
|----------------|------|------|------|------|------|-------|
| Polzahl | 3 | 4 | 5 | 3 | 4 | 5 |
| a | 85,0 | 85,0 | 85,0 | 85,0 | 85,0 | 85,0 |
| b | 85,0 | 85,0 | 85,0 | 85,0 | 85,0 | 85,0 |
| c | 70,0 | 70,0 | 70,0 | 70,0 | 70,0 | 70,0 |
| d | 70,0 | 70,0 | 70,0 | 70,0 | 70,0 | 70,0 |
| e ø | 6,3 | 6,3 | 6,3 | 6,3 | 6,3 | 6,3 |
| f | 11,0 | 11,0 | 11,0 | 11,0 | 11,0 | 11,0 |
| h | 75,5 | 75,0 | 76,5 | 85,0 | 85,0 | 85,0 |
| i | 44,0 | 44,0 | 44,0 | 44,0 | 44,0 | 44,0 |
| k | 70,5 | 78,5 | 86,5 | 94,0 | 94,0 | 101,5 |
| l ø | 49,0 | 49,0 | 49,0 | 49,0 | 49,0 | 49,0 |
| Leiter mm² min | 1 | 1 | 1 | 2,5 | 2,5 | 2,5 |
| Leiter mm² max | 2,5 | 2,5 | 2,5 | 6 | 6 | 6 |