

flange 85x85, fixing centers 70x70

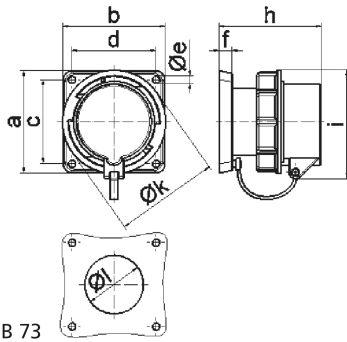


Product description	
BALS-Prd.-Nr	2894
EAN	4024941028943
product category (PG)	TN panel mounting appliance inlet, straight
current (A)	16A
number of poles (P99)	5p
number of poles (P)	3p+N+PE
position of earth contact (H)	6 h
Voltage	200/346 up to 240/415V
frequency (HZ)	50 and 60Hz

Product description	
VG-Type-No.:	VG 96919 AP 001
protection degree (SA)	IP67
colour code 1 (KF1)	bronze-green RAL 6031-F9
Colour of appliance	Bayonet ring bronze-green, Collar bronze-green, Closure cap bronze-green, Enclosure bronze-green
connection design (AT)	with screw terminal
maximum conductor size (LQ)	2,5 qmm
cable entry (KE)	null
Height	93mm
Width	86.5mm
Depth	82mm
Flange size vertical	85mm
Flange size horizontal	85mm
Drill hole distance vertical	70mm
Drill hole distance horizontal	70mm
material of enclosure (GM)	Polyamide
contact	The contact carrier is made of high temperature resistant material, the contacts are brass nickel plated

Additional technical information	
	With closure cap

Logistics data	
Weight/pcs	0.259 kg / Piece
Packaging	Bag
Content amount	1 ST
EAN	4024941028943
Length	82 mm
Width	86.5 mm
Height	93 mm
Weight	0.26 kg
Volume	659.649 ccm
Packaging	Carton
Content amount	10 ST
EAN	4024941826662
Length	258 mm
Width	183 mm
Height	212 mm
Weight	2.742 kg
Volume	8,750 ccm



Ampere	16	16	16	32	32	32
Polzahl	3	4	5	3	4	5
a	85,0	85,0	85,0	85,0	85,0	85,0
b	85,0	85,0	85,0	85,0	85,0	85,0
c	70,0	70,0	70,0	70,0	70,0	70,0
d	70,0	70,0	70,0	70,0	70,0	70,0
e ø	6,3	6,3	6,3	6,3	6,3	6,3
f	11,0	11,0	11,0	11,0	11,0	11,0
h	84,0	84,0	85,0	94,0	94,0	94,0
i	82,5	86,0	91,0	96,5	96,5	104,0
k ø	70,5	78,5	86,5	94,0	94,0	101,5
l ø	49,0	49,0	49,0	49,0	49,0	49,0
Leiter mm <sup>2</sup> min	1,0	1,0	1,0	2,5	2,5	2,5
Leiter mm <sup>2</sup> max	2,5	2,5	2,5	6,0	6,0	6,0