

flange 85x85, fixing centers 70x70

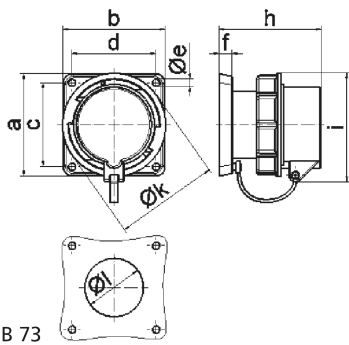


Product description	
BALS-Prd.-Nr	2892
EAN	4024941028929
product category (PG)	TN panel mounting appliance inlet, straight
current (A)	16A
number of poles (P99)	3p
number of poles (P)	2P+PE
position of earth contact (H)	6 h
Voltage	200 up to 250V
frequency (HZ)	50 and 60Hz

Product description	
VG-Type-No.:	VG 96919 AP 037
protection degree (SA)	IP67
colour code 1 (KF1)	bronze-green RAL 6031-F9
Colour of appliance	Bayonet ring bronze-green, Collar bronze-green, Closure cap bronze-green, Enclosure bronze-green
connection design (AT)	with screw terminal
maximum conductor size (LQ)	2,5 qmm
cable entry (KE)	null
Height	85mm
Width	85mm
Depth	83mm
Flange size vertical	85mm
Flange size horizontal	85mm
Drill hole distance vertical	70mm
Drill hole distance horizontal	70mm
material of enclosure (GM)	Polyamide
contact	The contact carrier is made of high temperature resistant material, the contacts are brass nickel plated

Additional technical information	
	With closure cap

Logistics data	
Weight/pcs	0.207 kg / Piece
Packaging	Bag
Content amount	1 ST
EAN	4024941028929
Length	83 mm
Width	85 mm
Height	85 mm
Weight	0.208 kg
Volume	599.675 ccm
Packaging	Carton
Content amount	10 ST
EAN	4024941819190
Length	245 mm
Width	177 mm
Height	185 mm
Weight	2.203 kg
Volume	7,140 ccm



5 MB 73

Ampere	16	16	16	32	32	32
Polzahl	3	4	5	3	4	5
a	85,0	85,0	85,0	85,0	85,0	85,0
b	85,0	85,0	85,0	85,0	85,0	85,0
c	70,0	70,0	70,0	70,0	70,0	70,0
d	70,0	70,0	70,0	70,0	70,0	70,0
e ø	6,3	6,3	6,3	6,3	6,3	6,3
f	11,0	11,0	11,0	11,0	11,0	11,0
h	84,0	84,0	85,0	94,0	94,0	94,0
i	82,5	86,0	91,0	96,5	96,5	104,0
k ø	70,5	78,5	86,5	94,0	94,0	101,5
l ø	49,0	49,0	49,0	49,0	49,0	49,0
Leiter mm ² min	1,0	1,0	1,0	2,5	2,5	2,5
Leiter mm ² max	2,5	2,5	2,5	6,0	6,0	6,0