

flanged appliance inlet - flange 120x120, fixing centers 100x100

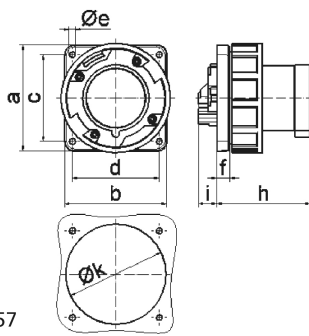


Product description	
BALS-Prd.-Nr	2861
EAN	4024941028615
product category	TE flanged appliance inlet straight
current	125A
number of poles	4p
number of poles	3P+PE
position of earth contact	6 h
voltage	380 up to 415V

Product description	
frequency	50 and 60Hz
protection degree	IP67
colour code	red RAL 3000
Colour of appliance	Collar red, Bayonet ring grey, Enclosure grey
connection design	screw terminal as box terminal
maximum conductor size	50.0 qmm
cable entry	null
Height	113.5mm
Width	113.5mm
Depth	114mm
Flange size vertical	120mm
Flange size horizontal	120mm
Drill hole distance vertical	100mm
Drill hole distance horizontal	100mm
material of enclosure	Polyamide
contact	The contact carrier is made of high temperature resistant material, the contacts are brass nickel plated

Additional technical information	
	Collar in middle of flange

Logistics data	
Weight/pcs	0.95 kg / Piece
Packaging	Bag
Content amount	1 ST
EAN	4024941028615
Length	114 mm
Width	113.5 mm
Height	113.5 mm
Weight	0.951 kg
Volume	1,468.577 ccm
Packaging	Carton
Content amount	5 ST
EAN	4024941952675
Length	330 mm
Width	216 mm
Height	260 mm
Weight	4.976 kg
Volume	17,062.5 ccm



5 MB 57

Ampere Polzahl	125 3	125 4	125 5			
a	120,0	120,0	120,0			
b	120,0	120,0	120,0			
c	100,0	100,0	100,0			
d	100,0	100,0	100,0			
e ø	6,5	6,5	6,5			
f	13,0	13,0	13,0			
h	116,0	116,0	116,0			
i	20,0	20,0	20,0			
k	104,0	104,0	104,0			
Leiter mm² min	16	16	16			
Leiter mm² max	50	50	50			