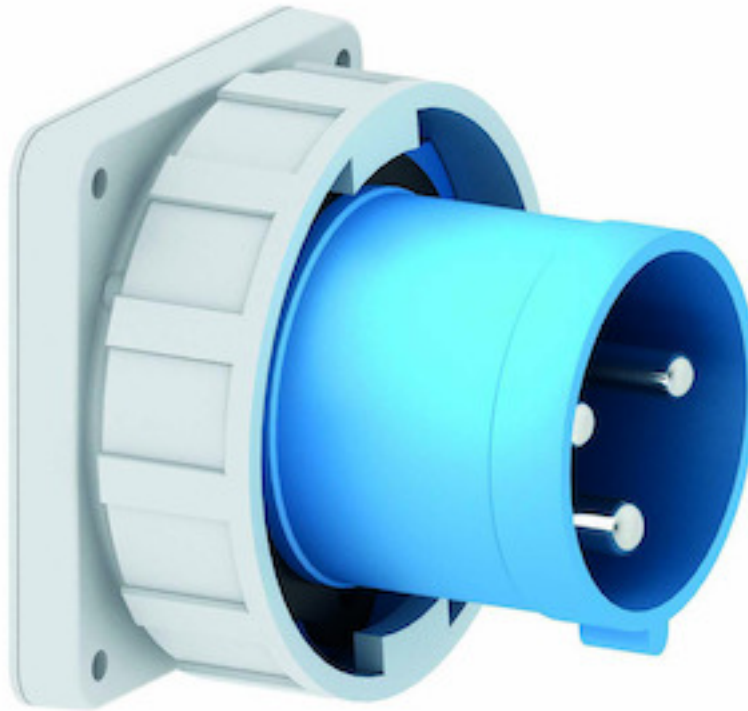


flanged appliance inlet - flange 120x120, fixing centers 100x100

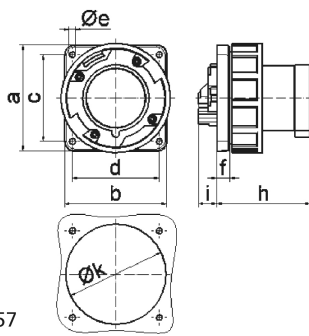


Product description	
BALS-Prd.-Nr	2860
EAN	4024941028608
product category (PG)	TE flanged appliance inlet straight
current (A)	125A
number of poles (P99)	3p
number of poles (P)	2P+PE
position of earth contact (H)	6 h
voltage (V)	200 up to 250V

Product description	
frequency (HZ)	50 and 60Hz
protection degree (SA)	IP67
colour code 1 (KF1)	blue RAL 5015
Colour of appliance	Collar blue, Bayonet ring grey, Enclosure grey
connection design (AT)	screw terminal as box terminal
maximum conductor size (LQ)	50.0 qmm
cable entry (KE)	null
Height	113.5mm
Width	113.5mm
Depth	114mm
Flange size vertical	120mm
Flange size horizontal	120mm
Drill hole distance vertical	100mm
Drill hole distance horizontal	100mm
material of enclosure (GM)	Polyamide
contact	The contact carrier is made of high temperature resistant material, the contacts are brass nickel plated

Additional technical information	
	Collar in middle of flange

Logistics data	
Weight/pcs	0.885 kg / Piece
Packaging	Bag
Content amount	1 ST
EAN	4024941028608
Length	114 mm
Width	113.5 mm
Height	113.5 mm
Weight	0.886 kg
Volume	1,468.57 ccm
Packaging	Carton
Content amount	5 ST
EAN	4024941954891
Length	330 mm
Width	216 mm
Height	260 mm
Weight	4.651 kg
Volume	17,062.5 ccm



5 MB 57

Ampere	125	125	125			
Polzahl	3	4	5			
a	120,0	120,0	120,0			
b	120,0	120,0	120,0			
c	100,0	100,0	100,0			
d	100,0	100,0	100,0			
e ø	6,5	6,5	6,5			
f	13,0	13,0	13,0			
h	116,0	116,0	116,0			
i	20,0	20,0	20,0			
k	104,0	104,0	104,0			
Leiter mm² min	16	16	16			
Leiter mm² max	50	50	50			