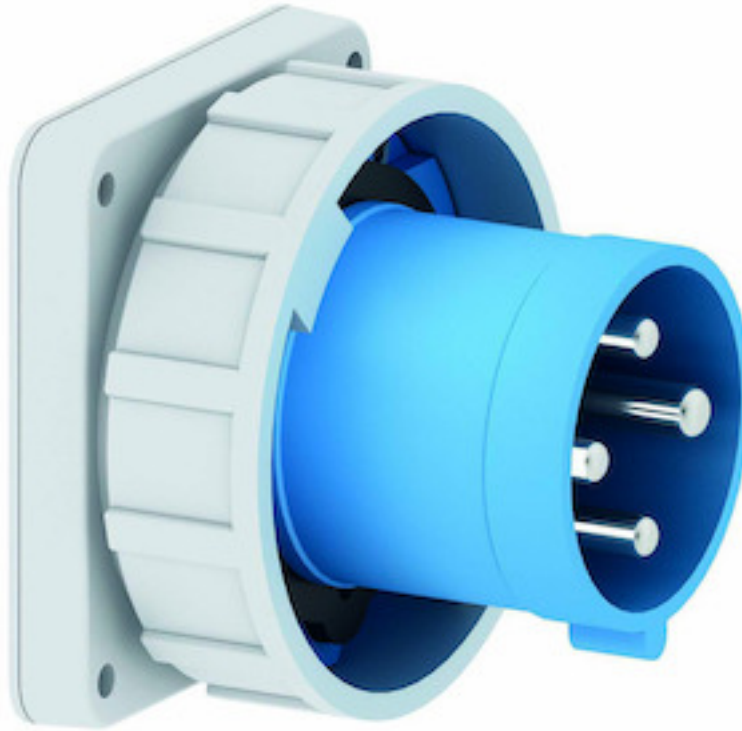


# flanged appliance inlet - flange 110x106, fixing centers 90x90

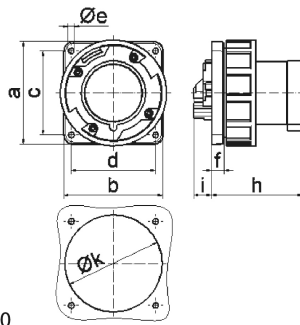


Product description	
BALS-Prd.-Nr	2842
EAN	4024941028424
product category	TE flanged appliance inlet straight
current	63A
number of poles	4p
number of poles	3P+PE
position of earth contact	9 h
voltage	200 up to 250V

Product description	
frequency	50 and 60Hz
protection degree	IP67
colour code	blue RAL 5015
Colour of appliance	Collar blue, Bayonet ring grey, Enclosure grey
connection design	screw terminal as box terminal
maximum conductor size	16,0 qmm
cable entry	null
Height	113.5mm
Width	113.5mm
Depth	114mm
Flange size vertical	110mm
Flange size horizontal	106mm
Drill hole distance vertical	90mm
Drill hole distance horizontal	90mm
material of enclosure	Polyamide
contact	The contact carrier is made of high temperature resistant material, the contacts are brass nickel plated

Additional technical information	
	Collar in middle of flange

Logistics data	
Weight/pcs	0.62 kg / Piece
Packaging	Bag
Content amount	1 ST
EAN	4024941028424
Length	114 mm
Width	113.5 mm
Height	113.5 mm
Weight	0.621 kg
Volume	1,468.577 ccm
Packaging	Carton
Content amount	5 ST
EAN	4024941834186
Length	258 mm
Width	183 mm
Height	212 mm
Weight	3.252 kg
Volume	8,750 ccm



5 MB 50

Ampere	63	63	63			
Polzahl	3	4	5			
a	110,0	110,0	110,0			
b	106,0	106,0	106,0			
c	90,0	90,0	90,0			
d	90,0	90,0	90,0			
e ø	5,5	5,5	5,5			
f	13,0	13,0	13,0			
h	96,0	96,0	96,0			
i	19,0	19,0	19,0			
k	93,0	93,0	93,0			
Leiter mm <sup>2</sup> min	6	6	6			
Leiter mm <sup>2</sup> max	16	16	16			