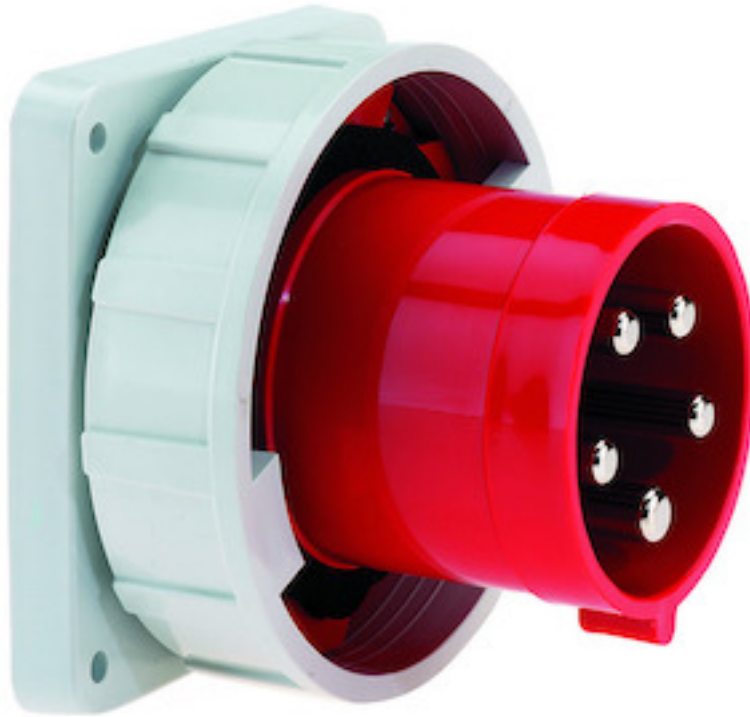


flanged appliance inlet - flange 110x106, fixing centers 90x90

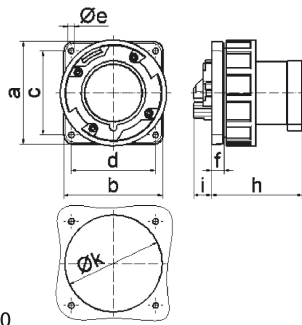


| Product description | |
|---------------------------|-------------------------------------|
| BALS-Prd.-Nr | 2838 |
| EAN | 4024941028387 |
| product category | TE flanged appliance inlet straight |
| current | 63A |
| number of poles | 5p |
| number of poles | 3p+N+PE |
| position of earth contact | 6 h |
| voltage | 200/346 up to 240/415V |

| Product description | |
|--------------------------------|--|
| frequency | 50 and 60Hz |
| protection degree | IP67 |
| colour code | red RAL 3000 |
| Colour of appliance | Collar red, Bayonet ring grey, Enclosure grey |
| connection design | screw terminal as box terminal |
| maximum conductor size | 16,0 qmm |
| cable entry | null |
| Height | 113.5mm |
| Width | 113.5mm |
| Depth | 114mm |
| Flange size vertical | 110mm |
| Flange size horizontal | 106mm |
| Drill hole distance vertical | 90mm |
| Drill hole distance horizontal | 90mm |
| material of enclosure | Polyamide |
| contact | The contact carrier is made of high temperature resistant material, the contacts are brass nickel plated |

| Additional technical information | |
|----------------------------------|----------------------------|
| | Collar in middle of flange |

| Logistics data | |
|----------------|-----------------|
| Weight/pcs | 0.65 kg / Piece |
| Packaging | Bag |
| Content amount | 1 ST |
| EAN | 4024941028387 |
| Length | 114 mm |
| Width | 113.5 mm |
| Height | 113.5 mm |
| Weight | 0.651 kg |
| Volume | 1,468.577 ccm |
| Packaging | Carton |
| Content amount | 5 ST |
| EAN | 4024941952699 |
| Length | 258 mm |
| Width | 183 mm |
| Height | 212 mm |
| Weight | 3.402 kg |
| Volume | 8,750 ccm |



5 MB 50

| Ampere | 63 | 63 | 63 | | | |
|----------------------------|-------|-------|-------|--|--|--|
| Polzahl | 3 | 4 | 5 | | | |
| a | 110,0 | 110,0 | 110,0 | | | |
| b | 106,0 | 106,0 | 106,0 | | | |
| c | 90,0 | 90,0 | 90,0 | | | |
| d | 90,0 | 90,0 | 90,0 | | | |
| e ø | 5,5 | 5,5 | 5,5 | | | |
| f | 13,0 | 13,0 | 13,0 | | | |
| h | 96,0 | 96,0 | 96,0 | | | |
| i | 19,0 | 19,0 | 19,0 | | | |
| k | 93,0 | 93,0 | 93,0 | | | |
| Leiter mm ² min | 6 | 6 | 6 | | | |
| Leiter mm ² max | 16 | 16 | 16 | | | |
| | | | | | | |
| | | | | | | |