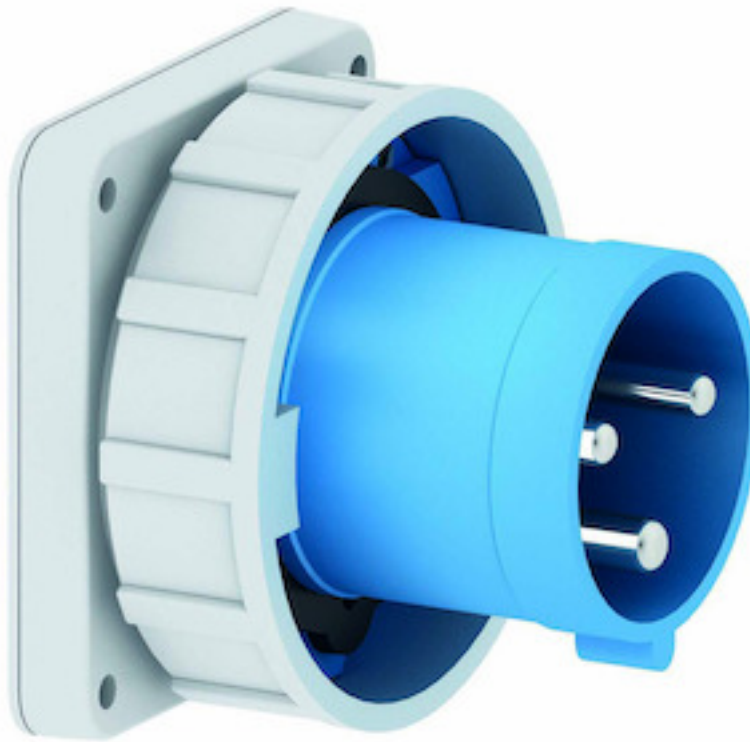


flanged appliance inlet - flange 110x106, fixing centers 90x90

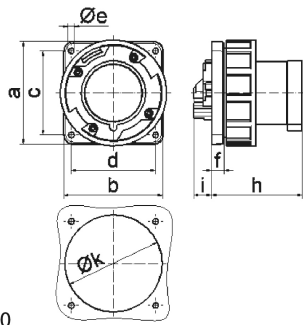


Product description	
BALS-Prd.-Nr	2835
EAN	4024941028356
product category (PG)	TE flanged appliance inlet straight
current (A)	63A
number of poles (P99)	3p
number of poles (P)	2P+PE
position of earth contact (H)	6 h
voltage (V)	200 up to 250V

Product description	
frequency (HZ)	50 and 60Hz
protection degree (SA)	IP67
colour code 1 (KF1)	blue RAL 5015
Colour of appliance	Collar blue, Bayonet ring grey, Enclosure grey
connection design (AT)	screw terminal as box terminal
maximum conductor size (LQ)	16,0 qmm
cable entry (KE)	null
Height	113.5mm
Width	113.5mm
Depth	114mm
Flange size vertical	110mm
Flange size horizontal	106mm
Drill hole distance vertical	90mm
Drill hole distance horizontal	90mm
material of enclosure (GM)	Polyamide
contact	The contact carrier is made of high temperature resistant material, the contacts are brass nickel plated

Additional technical information	
	Collar in middle of flange

Logistics data	
Weight/pcs	0.53 kg / Piece
Packaging	Bag
Content amount	1 ST
EAN	4024941028356
Length	114 mm
Width	113.5 mm
Height	113.5 mm
Weight	0.531 kg
Volume	1,468.57 ccm
Packaging	Carton
Content amount	5 ST
EAN	4024941819107
Length	258 mm
Width	183 mm
Height	212 mm
Weight	2.802 kg
Volume	8,750 ccm



5 MB 50

Ampere	63	63	63			
Polzahl	3	4	5			
a	110,0	110,0	110,0			
b	106,0	106,0	106,0			
c	90,0	90,0	90,0			
d	90,0	90,0	90,0			
e ø	5,5	5,5	5,5			
f	13,0	13,0	13,0			
h	96,0	96,0	96,0			
i	19,0	19,0	19,0			
k	93,0	93,0	93,0			
Leiter mm ² min	6	6	6			
Leiter mm ² max	16	16	16			