

panel mounting appliance inlet, straight - flange 85x85,  
fixing centers 70x70

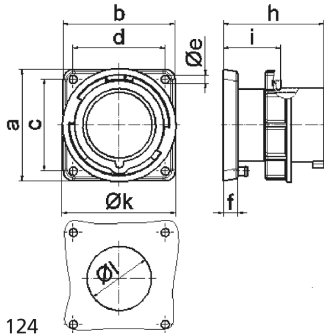


Product description	
BALS-Prd.-Nr	28103
EAN	4024941281034
product category	GT panel mounting appliance inlet, straight
current	16A
number of poles	5p
number of poles	3p+N+PE
position of earth contact	6 h
voltage	200/346 up to 240/415V

Product description	
frequency	50 and 60Hz
protection degree	IP67
colour code	red RAL 3000
Colour of appliance	Collar red, Bayonet ring grey, Enclosure grey
connection design	screw terminal
maximum conductor size	2,5 qmm
cable entry	null
Height	86.5mm
Width	86.5mm
Depth	77mm
Flange size vertical	85mm
Flange size horizontal	85mm
Drill hole distance vertical	70mm
Drill hole distance horizontal	70mm
material of enclosure	Polyamide
contact	The contact carrier is made of high temperature resistant material, the contacts are brass nickel plated

Additional technical information	
	A retaining device to match the hinged cover of the connector must be provided to ensure the latching feature

Logistics data	
Weight/pcs	0.219 kg / Piece
Packaging	Bag
Content amount	1 ST
EAN	4024941281034
Length	77 mm
Width	86.5 mm
Height	86.5 mm
Weight	0.22 kg
Volume	576.133 ccm
Packaging	Carton
Content amount	10 ST
EAN	4024941969895
Length	245 mm
Width	177 mm
Height	185 mm
Weight	2.323 kg
Volume	7,140 ccm



5 MB 124

Ampere	16	16	16	32	32	32
Polzahl	3	4	5	3	4	5
a	85,0	85,0	85,0	85,0	85,0	85,0
b	85,0	85,0	85,0	85,0	85,0	85,0
c	70,0	70,0	70,0	70,0	70,0	70,0
d	70,0	70,0	70,0	70,0	70,0	70,0
e ø	6,3	6,3	6,3	6,3	6,3	6,3
f	11,0	11,0	11,0	11,0	11,0	11,0
h	75,5	75,0	76,5	85,0	85,0	85,0
i	44,0	44,0	44,0	44,0	44,0	44,0
k	70,5	78,5	86,5	94,0	94,0	101,5
l ø	49,0	49,0	49,0	49,0	49,0	49,0
Leiter mm <sup>2</sup> min	1	1	1	2,5	2,5	2,5
Leiter mm <sup>2</sup> max	2,5	2,5	2,5	6	6	6