

flange 110x106, fixing centers 90x90

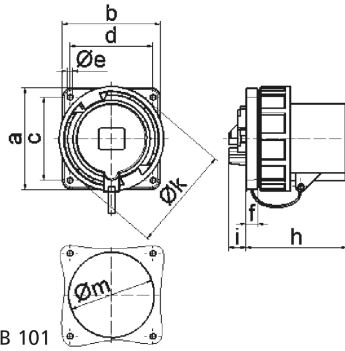


| Product description | |
|---------------------------|---|
| BALS-Prd.-Nr | 28042 |
| EAN | 4024941280426 |
| Product category | TN panel mounting appliance inlet, straight |
| Current | 63A |
| Number of poles | 3p |
| Number of poles | 2P+PE |
| Position of earth contact | 6 h |
| Voltage | 200 up to 250V |
| Frequency | 50 and 60Hz |

| Product description | |
|--------------------------------|--|
| VG-Type-No.: | VG 96919 AP 047 |
| Protection degree | IP67 |
| Colour code | bronze-green RAL 6031-F9 |
| Colour of appliance | Bayonet ring bronze-green RAL 6031-F9, Collar bronze-green RAL 6031-F9, Flange bronze-green RAL 6031-F9 |
| Connection design | box terminal |
| Maximum conductor size | 16,0 qmm |
| Cable entry | null |
| Height | 115mm |
| Width | 113.5mm |
| Depth | 132mm |
| Flange size vertical | 110mm |
| Flange size horizontal | 106mm |
| Drill hole distance vertical | 90mm |
| Drill hole distance horizontal | 90mm |
| Material of enclosure | Polyamide |
| Contact | The contact carrier is made of high temperature resistant material, the contacts are brass nickel plated |

| Additional technical information | |
|----------------------------------|------------------|
| | With closure cap |

| Logistics data | |
|----------------|----------------|
| Weight/pcs | 0.0 kg / Piece |
| Packaging | Bag |
| Content amount | 1 ST |
| EAN | 4024941280426 |
| Length | 132 mm |
| Width | 113.5 mm |
| Height | 115 mm |
| Weight | 0.001 kg |
| Volume | 1,722.93 ccm |
| Packaging | Carton |
| Content amount | 5 ST |
| EAN | 4024941839624 |
| Length | 295 mm |
| Width | 185 mm |
| Height | 215 mm |
| Weight | 0.164 kg |
| Volume | 9,975 ccm |



| Ampere | 63 | 63 | 63 | 125 | 125 | 125 |
|----------------------------|-------|-------|-------|-------|-------|-------|
| Polzahl | 3 | 4 | 5 | 3 | 4 | 5 |
| a | 110,0 | 110,0 | 110,0 | 120,0 | 120,0 | 120,0 |
| b | 106,0 | 106,0 | 106,0 | 120,0 | 120,0 | 120,0 |
| c | 90,0 | 90,0 | 90,0 | 100,0 | 100,0 | 100,0 |
| d | 90,0 | 90,0 | 90,0 | 100,0 | 100,0 | 100,0 |
| e ø | 5,5 | 5,5 | 5,5 | 6,5 | 6,5 | 6,5 |
| f | 13,0 | 13,0 | 13,0 | 13,0 | 13,0 | 13,0 |
| h | 114,0 | 114,0 | 114,0 | 121,0 | 121,0 | 121,0 |
| i | 19,0 | 19,0 | 19,0 | 20,0 | 20,0 | 20,0 |
| k ø | 113,5 | 113,5 | 113,5 | 126,0 | 126,0 | 126,0 |
| m ø | 93,0 | 93,0 | 93,0 | 104,0 | 104,0 | 104,0 |
| Leiter mm ² min | 6,0 | 6,0 | 6,0 | 16,0 | 16,0 | 16,0 |
| Leiter mm ² max | 16,0 | 16,0 | 16,0 | 50,0 | 50,0 | 50,0 |