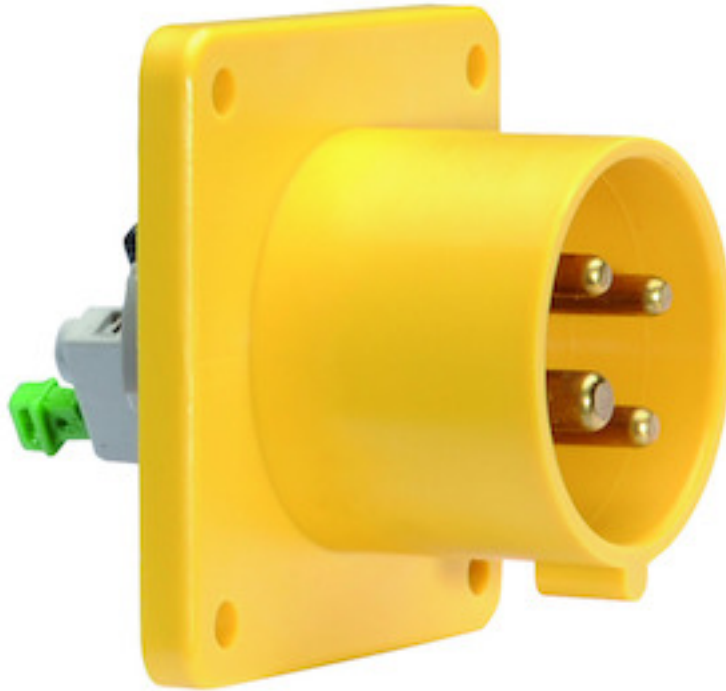


## flanged appliance inlet - flange 75x75, fixing centers 60x60

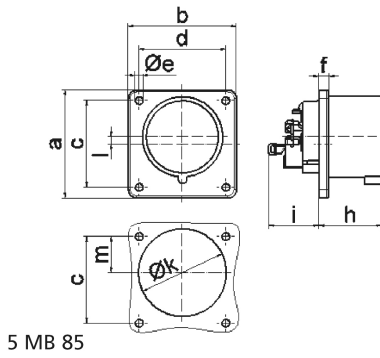


| Product description       |   |
|---------------------------|---|
| BALS-Prd.-Nr              | 28003   |
| EAN                       | 4024941280037                                   |
| product group             | flanged appliance inlet Quick-Connect, straight |
| current                   | 16A   |
| number of poles           | 4p  |
| Arrangement of the phases | 3P+PE   |
| position of earth contact | 4 h   |
| voltage (V)               | 100 up to 130V                                  |

| Product description            |  |
|--------------------------------|--|
| frequency                      | 50 and 60Hz  |
| protection degree              | IP44   |
| colour code                    | yellow RAL 1012  |
| Colour of appliance            | Enclosure yellow   |
| connection design              | screwless spring-clamp   |
| maximum conductor size (LQ)    | 2,5 qmm  |
| cable entry (KE)               | null   |
| Height                         | 75mm   |
| Width                          | 75mm   |
| Depth                          | 79mm   |
| Flange size vertical           | 75mm   |
| Flange size horizontal         | 75mm   |
| Drill hole distance vertical   | 60mm   |
| Drill hole distance horizontal | 60mm   |
| material of enclosure          | Polyamide  |
| contact                        | The contact carrier is made of polyamide, The contacts are brass |

| Additional technical information |   |
|----------------------------------|---|
|                                  | A retaining device to match the hinged cover of the connector must be provided to ensure the latching feature |
|                                  | Collar in middle of flange  |

| Logistics data |                  |
|----------------|------------------|
| Weight/pcs     | 0.103 kg / Piece |
| Packaging      | Bag              |
| Content amount | 1 ST             |
| EAN            | 4024941280037    |
| Length         | 79 mm            |
| Width          | 75 mm            |
| Height         | 75 mm            |
| Weight         | 0.104 kg         |
| Volume         | 444.375 ccm      |
| Packaging      | Carton           |
| Content amount | 10 ST            |
| EAN            | 4024941834056    |
| Length         | 275 mm           |
| Width          | 175 mm           |
| Height         | 137 mm           |
| Weight         | 1.155 kg         |
| Volume         | 5,737.5 ccm      |



| Ampere                     | 16   | 16   | 16   | 32   | 32   | 32   |
|----------------------------|------|------|------|------|------|------|
| Polzahl                    | 3    | 4    | 5    | 3    | 4    | 5    |
| a                          | 75,0 | 75,0 | 75,0 | 75,0 | 75,0 | 75,0 |
| b                          | 75,0 | 75,0 | 75,0 | 75,0 | 75,0 | 75,0 |
| c                          | 60,0 | 60,0 | 60,0 | 60,0 | 60,0 | 60,0 |
| d                          | 60,0 | 60,0 | 60,0 | 60,0 | 60,0 | 60,0 |
| e ø                        | 5,5  | 5,5  | 5,5  | 5,5  | 5,5  | 5,5  |
| f                          | 7,0  | 7,0  | 7,0  | 7,0  | 7,0  | 7,0  |
| h                          | 43,0 | 43,0 | 43,0 | 53,0 | 53,0 | 53,0 |
| i                          | 39,0 | 39,0 | 39,0 | 43,0 | 43,0 | 43,0 |
| k ø                        | 42,0 | 48,0 | 61,0 | 57,0 | 57,0 | 60,0 |
| l                          | -    | -    | 5,0  | 2,0  | 2,0  | -    |
| m                          | 30,0 | 30,0 | 25,0 | 28,0 | 28,0 | 30,0 |
| Leiter mm <sup>2</sup> min | 1    | 1    | 1    | 2,5  | 2,5  | 2,5  |
| Leiter mm <sup>2</sup> max | 2,5  | 2,5  | 2,5  | 6    | 6    | 6    |