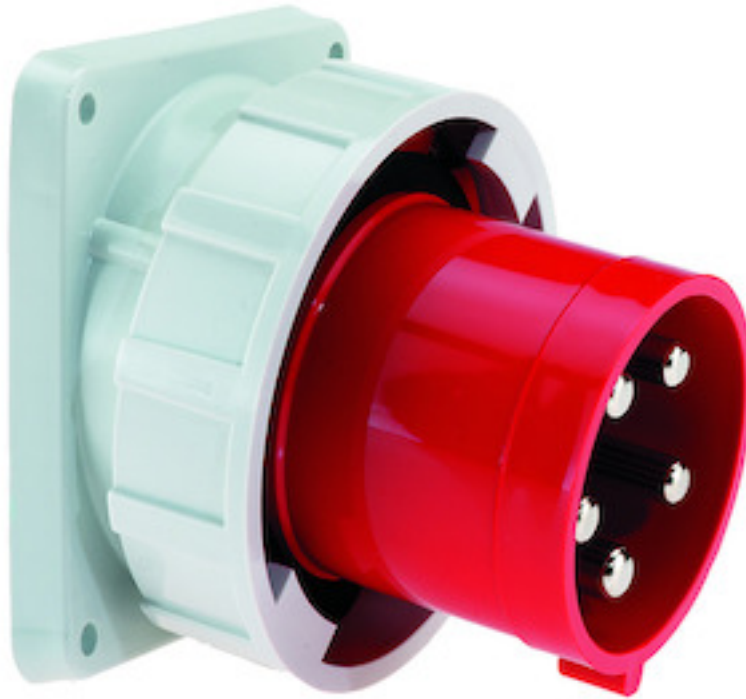


Panel mounting appliance inlet, angled - flange 130x120, fixing centers 108x100

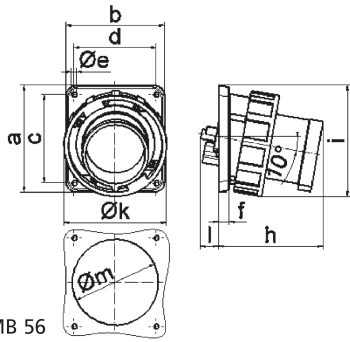


Product description	
BALS-Prd.-Nr	2744
EAN	4024941027441
product category (PG)	TE panel mounting appliance inlet, angled
current (A)	125A
number of poles (P99)	5p
number of poles (P)	3p+N+PE
position of earth contact (H)	6 h
Voltage	200/346 up to 240/415V

Product description	
frequency (HZ)	50 and 60Hz
protection degree (SA)	IP67
colour code 1 (KF1)	red RAL 3000
Colour of appliance	Collar red, Bayonet ring grey, Enclosure grey
connection design (AT)	box terminal
maximum conductor size (LQ)	50.0 qmm
cable entry (KE)	null
Height	125mm
Width	136mm
Depth	150mm
Flange size vertical	130mm
Flange size horizontal	120mm
Drill hole distance vertical	108mm
Drill hole distance horizontal	100mm
material of enclosure (GM)	Polyamide
contact	The contact carrier is made of high temperature resistant material, the contacts are brass nickel plated

Additional technical information	
	The inclination is 10°

Logistics data	
Weight/pcs	1.115 kg / Piece
Packaging	Bag
Content amount	1 ST
EAN	4024941027441
Length	150 mm
Width	136 mm
Height	125 mm
Weight	1.116 kg
Volume	2,550 ccm
Packaging	Carton
Content amount	5 ST
EAN	4024941952705
Length	330 mm
Width	216 mm
Height	260 mm
Weight	5.801 kg
Volume	17,062.5 ccm



5 MB 56

Ampere	125	125	125			
Polzahl	3	4	5			
a	130,0	130,0	130,0			
b	120,0	120,0	120,0			
c	108,0	108,0	108,0			
d	100,0	100,0	100,0			
e ø	6,5	6,5	6,5			
f	13,0	13,0	13,0			
h	130,0	130,0	130,0			
i	135,0	135,0	135,0			
k	126,0	126,0	126,0			
l	23,0	23,0	23,0			
m ø	105,0	105,0	105,0			
Leiter mm ² min	16	16	16			
Leiter mm ² max	50	50	50			