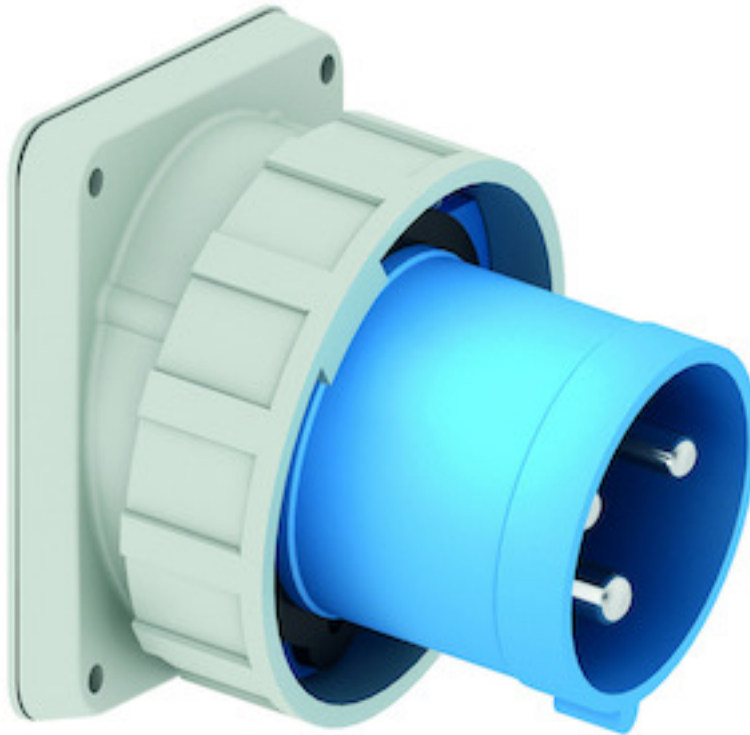


## Panel mounting appliance inlet, angled - flange 130x120, fixing centers 108x100

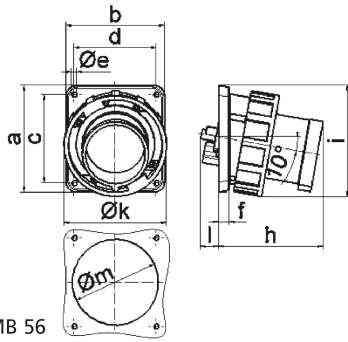


Product description	
BALS-Prd.-Nr	2736
EAN	4024941027366
product category (PG)	TE panel mounting appliance inlet, angled
current (A)	125A
number of poles (P99)	3p
number of poles (P)	2P+PE
position of earth contact (H)	6 h
voltage (V)	200 up to 250V

Product description	
frequency (HZ)	50 and 60Hz
protection degree (SA)	IP67
colour code 1 (KF1)	blue RAL 5015
Colour of appliance	Collar blue, Bayonet ring grey, Enclosure grey
connection design (AT)	screw terminal as box terminal
maximum conductor size (LQ)	50.0 qmm
cable entry (KE)	null
Height	125mm
Width	136mm
Depth	150mm
Flange size vertical	130mm
Flange size horizontal	120mm
Drill hole distance vertical	108mm
Drill hole distance horizontal	100mm
material of enclosure (GM)	Polyamide
contact	The contact carrier is made of high temperature resistant material, the contacts are brass nickel plated

Additional technical information	
	The inclination is 10°

Logistics data	
Weight/pcs	0.905 kg / Piece
Packaging	Bag
Content amount	1 ST
EAN	4024941027366
Length	150 mm
Width	136 mm
Height	125 mm
Weight	0.906 kg
Volume	2,550 ccm
Packaging	Carton
Content amount	5 ST
EAN	4024941950237
Length	330 mm
Width	216 mm
Height	260 mm
Weight	4.751 kg
Volume	17,062.5 ccm



5 MB 56

Ampere Polzahl	125 3	125 4	125 5			
a	130,0	130,0	130,0			
b	120,0	120,0	120,0			
c	108,0	108,0	108,0			
d	100,0	100,0	100,0			
e ø	6,5	6,5	6,5			
f	13,0	13,0	13,0			
h	130,0	130,0	130,0			
i	135,0	135,0	135,0			
k	126,0	126,0	126,0			
l	23,0	23,0	23,0			
m ø	105,0	105,0	105,0			
Leiter mm <sup>2</sup> min	16	16	16			
Leiter mm <sup>2</sup> max	50	50	50			