

flange 130x120, fixing centers 108x100

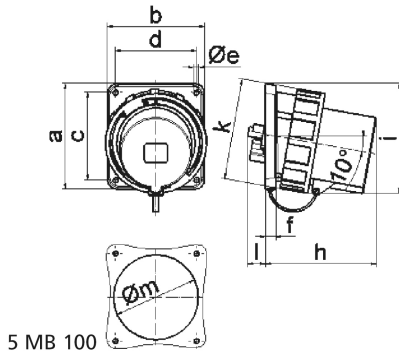


| Product description | |
|---------------------------|---|
| BALS-Prd.-Nr | 27102 |
| EAN | 4024941271028 |
| Product category | TN panel mounting appliance inlet, angled |
| Current | 125A |
| Number of poles | 5p |
| Number of poles | 3p+N+PE |
| Position of earth contact | 6 h |
| Voltage | 200/346 up to 240/415V |
| Frequency | 50 and 60Hz |

| Product description | |
|--------------------------------|--|
| VG-Type-No.: | VG 96919 BP 014 |
| Protection degree | IP67 |
| Colour code | bronze-green RAL 6031-F9 |
| Colour of appliance | Bayonet ring bronze-green RAL 6031-F9, Collar bronze-green RAL 6031-F9, Enclosure bronze-green RAL 6031-F9 |
| Connection design | box terminal |
| Maximum conductor size | 50.0 qmm |
| Cable entry | null |
| Height | 138mm |
| Width | 125mm |
| Depth | 159mm |
| Flange size vertical | 130mm |
| Flange size horizontal | 120mm |
| Drill hole distance vertical | 108mm |
| Drill hole distance horizontal | 100mm |
| Material of enclosure | Polyamide |
| Contact | The contact carrier is made of high temperature resistant material, the contacts are brass nickel plated |

| Additional technical information | |
|----------------------------------|------------------------|
| | The inclination is 10° |
| | With closure cap |

| Logistics data | |
|----------------|-----------------|
| Weight/pcs | 1.22 kg / Piece |
| Packaging | Bag |
| Content amount | 1 ST |
| EAN | 4024941271028 |
| Length | 159 mm |
| Width | 125 mm |
| Height | 138 mm |
| Weight | 1.221 kg |
| Volume | 2,742.75 ccm |
| Packaging | Carton |
| Content amount | 5 ST |
| EAN | 4024941823166 |
| Length | 330 mm |
| Width | 216 mm |
| Height | 260 mm |
| Weight | 6.326 kg |
| Volume | 17,062.5 ccm |



| Ampere | 63 | 63 | 63 | 125 | 125 | 125 |
|----------------------------|-------|-------|-------|-------|-------|-------|
| Polzahl | 3 | 4 | 5 | 3 | 4 | 5 |
| a | 107,0 | 107,0 | 107,0 | 130,0 | 130,0 | 130,0 |
| b | 100,0 | 100,0 | 100,0 | 120,0 | 120,0 | 120,0 |
| c | 85,0 | 85,0 | 85,0 | 108,0 | 108,0 | 108,0 |
| d | 77,0 | 77,0 | 77,0 | 100,0 | 100,0 | 100,0 |
| e ø | 6,5 | 6,5 | 6,5 | 6,5 | 6,5 | 6,5 |
| f | 12,0 | 12,0 | 12,0 | 13,0 | 13,0 | 13,0 |
| h | 142,0 | 142,0 | 142,0 | 134,0 | 134,0 | 134,0 |
| i | 124,0 | 124,0 | 124,0 | 138,0 | 138,0 | 138,0 |
| k | 113,5 | 113,5 | 113,5 | 126,0 | 126,0 | 126,0 |
| l | --- | --- | --- | 23,0 | 23,0 | 23,0 |
| m ø | --- | --- | --- | 105,0 | 105,0 | 105,0 |
| Leiter mm ² min | 6,0 | 6,0 | 6,0 | 16,0 | 16,0 | 16,0 |
| Leiter mm ² max | 16,0 | 16,0 | 16,0 | 50,0 | 50,0 | 50,0 |