

flange 107x100 fixing centers 85x77



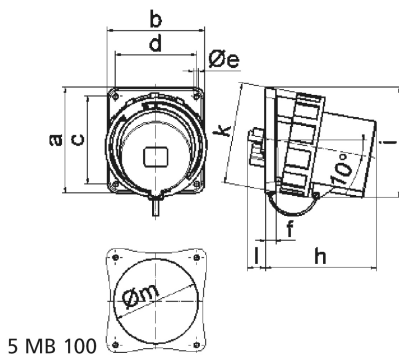
Product description	
BALS-Prd.-Nr	27045
EAN	4024941270458
product category	TN panel mounting appliance inlet, angled
current	63A
number of poles	5p
number of poles	3p+N+PE
position of earth contact	2 h
voltage	> 50V
frequency	over 300 up to 500Hz

Product description	
VG-Type-No.:	VG 96919 BP 012
Supplynumber:	5935-12-335-8070
protection degree	IP67
colour code	bronze-green RAL 6031-F9
Colour of appliance	Bayonet ring bronze-green, Collar bronze-green, Enclosure bronze-green
connection design	screw terminal as box terminal
maximum conductor size	16,0 qmm
cable entry	null
Height	123mm
Width	113.5mm
Depth	141mm
Flange size vertical	107mm
Flange size horizontal	100mm
Drill hole distance vertical	85mm
Drill hole distance horizontal	77mm
material of enclosure	Polyamide
contact	The contact carrier is made of high temperature resistant material, the contacts are brass nickel plated

Additional technical information	
	The inclination is 10°

Additional technical information	
	With closure cap

Logistics data	
Weight/pcs	0.775 kg / Piece
Packaging	Carton
Content amount	5 ST
EAN	4024941839556
Length	325 mm
Width	217 mm
Height	210 mm
Weight	4.077 kg
Volume	13,588.4 ccm



Ampere	63	63	63	125	125	125
Polzahl	3	4	5	3	4	5
a	107,0	107,0	107,0	130,0	130,0	130,0
b	100,0	100,0	100,0	120,0	120,0	120,0
c	85,0	85,0	85,0	108,0	108,0	108,0
d	77,0	77,0	77,0	100,0	100,0	100,0
e Ø	6,5	6,5	6,5	6,5	6,5	6,5
f	12,0	12,0	12,0	13,0	13,0	13,0
h	142,0	142,0	142,0	134,0	134,0	134,0
i	124,0	124,0	124,0	138,0	138,0	138,0
k	113,5	113,5	113,5	126,0	126,0	126,0
l	---	---	---	23,0	23,0	23,0
m Ø	---	---	---	105,0	105,0	105,0
Leiter mm² min	6,0	6,0	6,0	16,0	16,0	16,0
Leiter mm² max	16,0	16,0	16,0	50,0	50,0	50,0