

panel mounting appliance inlet - without hinged cover

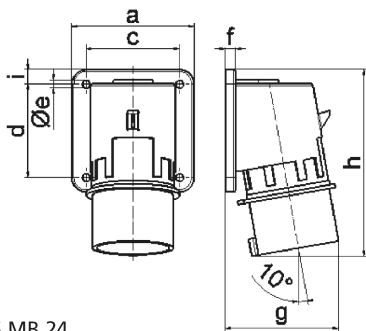


| Product description | |
|-------------------------------|-------------------------------------|
| BALS-Prd.-Nr | 2684 |
| EAN | 4024941026840 |
| product category (PG) | GT surface mounting appliance inlet |
| current (A) | 32A |
| number of poles (P99) | 4p |
| number of poles (P) | 3P+PE |
| position of earth contact (H) | 9 h |
| voltage (V) | 200 up to 250V |
| frequency (HZ) | 50 and 60Hz |

| Product description | |
|--------------------------------|--|
| protection degree (SA) | IP44 |
| colour code 1 (KF1) | blue RAL 5015 |
| Colour of appliance | Collar blue, Enclosure grey |
| connection design (AT) | screw terminal |
| maximum conductor size (LQ) | 6,0 qmm |
| cable entry (KE) | null |
| Height | 139mm |
| Width | 90mm |
| Depth | 86mm |
| Flange size vertical | 75mm |
| Flange size horizontal | 90mm |
| Drill hole distance vertical | 45mm |
| Drill hole distance horizontal | 78mm |
| material of enclosure (GM) | Polyamide |
| contact | The contact carrier is made of polyamide, The contacts are brass |

| Logistics data | |
|----------------|------------------|
| Weight/pcs | 0.221 kg / Piece |
| Packaging | Bag |
| Content amount | 1 ST |
| EAN | 4024941026840 |

| Logistics data | |
|----------------|---------------|
| Length | 86 mm |
| Width | 90 mm |
| Height | 139 mm |
| Weight | 0.222 kg |
| Volume | 1,075.86 ccm |
| Packaging | Carton |
| Content amount | 10 ST |
| EAN | 4024941818964 |
| Length | 295 mm |
| Width | 185 mm |
| Height | 215 mm |
| Weight | 2.374 kg |
| Volume | 9,975 ccm |



5 MB 24

| Ampere | 16 | 16 | 16 | 32 | 32 | 32 |
|----------------------------|-------|-------|-------|-------|-------|-------|
| Polzahl | 3 | 4 | 5 | 3 | 4 | 5 |
| a | 74,0 | 75,0 | 84,0 | 90,0 | 90,0 | 90,0 |
| b | 84,0 | 100,0 | 84,0 | 75,0 | 75,0 | 75,0 |
| c | 58,0 | 62,0 | 64,0 | 78,0 | 78,0 | 78,0 |
| d | 64,0 | 74,0 | 64,0 | 45,0 | 45,0 | 45,0 |
| e ø | 5,5 | 4,3 | 5,5 | 5,5 | 5,5 | 5,5 |
| f | 12,0 | 12,0 | 7,0 | 7,0 | 7,0 | 7,0 |
| g | 70,0 | 77,0 | 78,0 | 86,0 | 86,0 | 88,0 |
| h | 128,0 | 145,0 | 129,0 | 138,0 | 138,0 | 140,0 |
| i | - | - | - | 13,0 | 13,0 | 13,0 |
| Leiter mm ² min | 1 | 1 | 1 | 2,5 | 2,5 | 2,5 |
| Leiter mm ² max | 2,5 | 2,5 | 2,5 | 6 | 6 | 6 |