

## panel mounting appliance inlet - without hinged cover

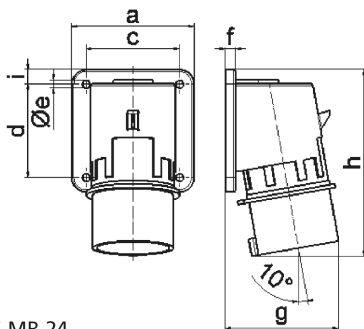


Product description	
BALS-Prd.-Nr	2679
EAN	4024941026796
product category (PG)	GT surface mounting appliance inlet
current (A)	32A
number of poles (P99)	4p
number of poles (P)	3P+PE
position of earth contact (H)	10 h
voltage (V)	> 50V
frequency (HZ)	100 up to 300Hz

Product description	
protection degree (SA)	IP44
colour code 1 (KF1)	green RAL 6002
Colour of appliance	Enclosure grey, Collar green
connection design (AT)	screw terminal
maximum conductor size (LQ)	6,0 qmm
cable entry (KE)	null
Height	139mm
Width	90mm
Depth	86mm
Flange size vertical	75mm
Flange size horizontal	90mm
Drill hole distance vertical	45mm
Drill hole distance horizontal	78mm
material of enclosure (GM)	Polyamide
contact	The contact carrier is made of polyamide, The contacts are brass

Logistics data	
Weight/pcs	0.235 kg / Piece
Packaging	Bag
Content amount	1 ST
EAN	4024941026796

Logistics data	
Length	86 mm
Width	90 mm
Height	139 mm
Weight	0.236 kg
Volume	1,075.86 ccm
Packaging	Carton
Content amount	10 ST
EAN	4024941833165
Length	295 mm
Width	185 mm
Height	215 mm
Weight	2.514 kg
Volume	9,975 ccm



5 MB 24

Ampere	16	16	16	32	32	32
Polzahl	3	4	5	3	4	5
a	74,0	75,0	84,0	90,0	90,0	90,0
b	84,0	100,0	84,0	75,0	75,0	75,0
c	58,0	62,0	64,0	78,0	78,0	78,0
d	64,0	74,0	64,0	45,0	45,0	45,0
e ø	5,5	4,3	5,5	5,5	5,5	5,5
f	12,0	12,0	7,0	7,0	7,0	7,0
g	70,0	77,0	78,0	86,0	86,0	88,0
h	128,0	145,0	129,0	138,0	138,0	140,0
i	-	-	-	13,0	13,0	13,0
Leiter mm <sup>2</sup> min	1	1	1	2,5	2,5	2,5
Leiter mm <sup>2</sup> max	2,5	2,5	2,5	6	6	6