

phase inverter, as wall panel mounting appliance inlet -
with hinged cover

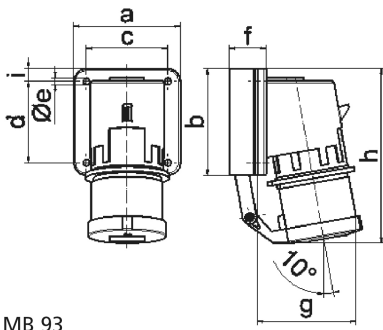


Product description	
BALS-Prd.-Nr	2674
EAN	4024941026741
product category (PG)	GT phase inverter as surface mounting appliance inlet
current (A)	32A
number of poles (P99)	5p
number of poles (P)	3p+N+PE
position of earth contact (H)	6 h
Voltage	200/346 up to 240/415V

Product description	
frequency (HZ)	50 and 60Hz
protection degree (SA)	IP44
colour code 1 (KF1)	red RAL 3000
Colour of appliance	Hinged lid grey, Collar red, Enclosure grey
connection design (AT)	with screw terminal
maximum conductor size (LQ)	6,0 qmm
cable entry (KE)	null
Height	148mm
Width	90mm
Depth	116mm
Flange size vertical	75mm
Flange size horizontal	90mm
Drill hole distance vertical	45mm
Drill hole distance horizontal	78mm
material of enclosure (GM)	Polyamide
contact	The contact carrier is made of polyamide, the contacts are brass nickel plated

Additional technical information	
	With hinged lid

Logistics data	
Weight/pcs	0.342 kg / Piece
Packaging	Bag
Content amount	1 ST
EAN	4024941026741
Length	116 mm
Width	90 mm
Height	148 mm
Weight	0.343 kg
Volume	1,545.12 ccm
Packaging	Carton
Content amount	10 ST
EAN	4024941967730
Length	330 mm
Width	216 mm
Height	260 mm
Weight	3.646 kg
Volume	17,062.5 ccm



5 MB 93

Ampere	16	32				
Polzahl	5	5				
a	84,0	90,0				
b	84,0	75,0				
c	64,0	78,0				
d	64,0	45,0				
e ø	5,5	5,5				
f	29,0	29,0				
g	105,0	115,0				
h	138,0	150,0				
i	10,0	13,0				
Leiter mm ² min	1	2,5				
Leiter mm ² max	2,5	6				