

panel mounting appliance inlet - without hinged cover

Abbildung ähnlich - similar picture

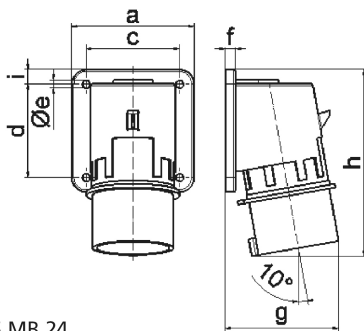


Product description	
BALS-Prd.-Nr	265
EAN	4024941002653
product category (PG)	GT surface mounting appliance inlet
current (A)	16A
number of poles (P99)	4p
number of poles (P)	3P+PE
position of earth contact (H)	6 h
voltage (V)	380 up to 415V
frequency (HZ)	50 and 60Hz

Product description	
protection degree (SA)	IP44
colour code 1 (KF1)	red RAL 3000
Colour of appliance	Collar red, Housing bottom grey, Housing top grey
connection design (AT)	screw terminal
maximum conductor size (LQ)	2,5 qmm
cable entry (KE)	null
Height	145mm
Width	75mm
Depth	78mm
Flange size vertical	100mm
Flange size horizontal	75mm
Drill hole distance vertical	74mm
Drill hole distance horizontal	62mm
material of enclosure (GM)	Polyamide
contact	The contact carrier is made of polyamide, The contacts are brass

Logistics data	
Weight/pcs	0.158 kg / Piece
Packaging	Bag
Content amount	1 ST
EAN	4024941002653

Logistics data	
Length	78 mm
Width	75 mm
Height	145 mm
Weight	0.159 kg
Volume	848.25 ccm
Packaging	Carton
Content amount	10 ST
EAN	4024941959711
Length	258 mm
Width	183 mm
Height	212 mm
Weight	1.732 kg
Volume	8,750 ccm



5 MB 24

Ampere	16	16	16	32	32	32
Polzahl	3	4	5	3	4	5
a	74,0	75,0	84,0	90,0	90,0	90,0
b	84,0	100,0	84,0	75,0	75,0	75,0
c	58,0	62,0	64,0	78,0	78,0	78,0
d	64,0	74,0	64,0	45,0	45,0	45,0
e ø	5,5	4,3	5,5	5,5	5,5	5,5
f	12,0	12,0	7,0	7,0	7,0	7,0
g	70,0	77,0	78,0	86,0	86,0	88,0
h	128,0	145,0	129,0	138,0	138,0	140,0
i	-	-	-	13,0	13,0	13,0
Leiter mm ² min	1	1	1	2,5	2,5	2,5
Leiter mm ² max	2,5	2,5	2,5	6	6	6

Abbildung ähnlich - similar picture