

## panel mounting appliance inlet - with closure cap



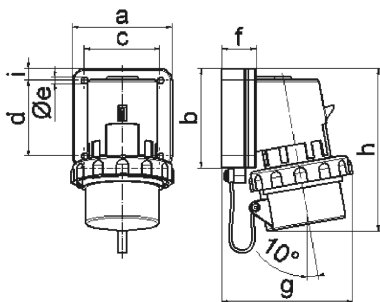
Product description	
BALS-Prd.-Nr	2659
EAN	4024941026598
product category (PG)	GT surface mounting appliance inlet
current (A)	32A
number of poles (P99)	3p
number of poles (P)	2P+PE
position of earth contact (H)	6 h
voltage (V)	200 up to 250V
frequency (HZ)	50 and 60Hz

Product description	
protection degree (SA)	IP67
colour code 1 (KF1)	blue RAL 5015
Colour of appliance	Closure cap grey, Collar blue, Bayonet ring grey, Enclosure grey
connection design (AT)	screw terminal
maximum conductor size (LQ)	6,0 qmm
cable entry (KE)	null
Height	147mm
Width	94mm
Depth	121mm
Flange size vertical	75mm
Flange size horizontal	90mm
Drill hole distance vertical	45mm
Drill hole distance horizontal	78mm
material of enclosure (GM)	Polyamide
contact	The contact carrier is made of polyamide, the contacts are brass nickel plated

Additional technical information	
	With closure cap

Logistics data	
Weight/pcs	0.37 kg / Piece

Logistics data	
Packaging	Bag
Content amount	1 ST
EAN	4024941026598
Length	121 mm
Width	94 mm
Height	147 mm
Weight	0.371 kg
Volume	1,671.978 ccm
Packaging	Carton
Content amount	10 ST
EAN	4024941963312
Length	330 mm
Width	216 mm
Height	260 mm
Weight	3.926 kg
Volume	17,062.5 ccm



5 MB 3

Ampere	16	16	16	32	32	32
Polzahl	3	4	5	3	4	5
a	74,0	75,0	84,0	90,0	90,0	90,0
b	84,0	100,0	84,0	75,0	75,0	75,0
c	58,0	62,0	64,0	78,0	78,0	78,0
d	64,0	74,0	64,0	45,0	45,0	45,0
e ø	5,5	4,3	5,5	5,5	5,5	5,5
f	12,0	12,0	29,0	29,0	29,0	29,0
g	80,0	88,0	111,0	123,0	123,0	123,0
h	133,0	152,0	134,0	147,0	147,0	148,0
i	-	-	10,0	13,0	13,0	13,0
Leiter mm <sup>2</sup> min	1	1	1	2,5	2,5	2,5
Leiter mm <sup>2</sup> max	2,5	2,5	2,5	6	6	6