

## panel mounting appliance inlet - with closure cap



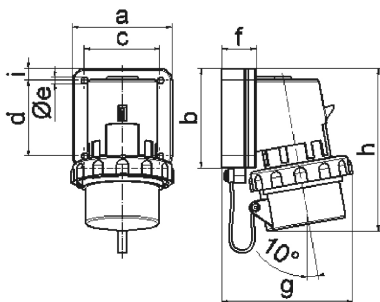
Product description	
BALS-Prd.-Nr	2648
EAN	4024941026482
product category (PG)	GT surface mounting appliance inlet
current (A)	16A
number of poles (P99)	5p
number of poles (P)	3p+N+PE
position of earth contact (H)	6 h
voltage (V)	200/346 up to 240/415V
frequency (HZ)	50 and 60Hz

Product description	
protection degree (SA)	IP67
colour code 1 (KF1)	red RAL 3000
Colour of appliance	Closure cap grey, Collar red, Bayonet ring grey, Enclosure grey
connection design (AT)	screw terminal
maximum conductor size (LQ)	2,5 qmm
cable entry (KE)	null
Height	138mm
Width	88mm
Depth	111mm
Flange size vertical	84mm
Flange size horizontal	84mm
Drill hole distance vertical	64mm
Drill hole distance horizontal	64mm
material of enclosure (GM)	Polyamide
contact	The contact carrier is made of polyamide, the contacts are brass nickel plated

Additional technical information	
	With closure cap

Logistics data	
Weight/pcs	0.308 kg / Piece

Logistics data	
Packaging	Bag
Content amount	1 ST
EAN	4024941026482
Length	111 mm
Width	88 mm
Height	138 mm
Weight	0.309 kg
Volume	1,347.984 ccm
Packaging	Carton
Content amount	10 ST
EAN	4024941818902
Length	325 mm
Width	217 mm
Height	210 mm
Weight	3.286 kg
Volume	13,588.4 ccm



5 MB 3

Ampere	16	16	16	32	32	32
Polzahl	3	4	5	3	4	5
a	74,0	75,0	84,0	90,0	90,0	90,0
b	84,0	100,0	84,0	75,0	75,0	75,0
c	58,0	62,0	64,0	78,0	78,0	78,0
d	64,0	74,0	64,0	45,0	45,0	45,0
e ø	5,5	4,3	5,5	5,5	5,5	5,5
f	12,0	12,0	29,0	29,0	29,0	29,0
g	80,0	88,0	111,0	123,0	123,0	123,0
h	133,0	152,0	134,0	147,0	147,0	148,0
i	-	-	10,0	13,0	13,0	13,0
Leiter mm <sup>2</sup> min	1	1	1	2,5	2,5	2,5
Leiter mm <sup>2</sup> max	2,5	2,5	2,5	6	6	6