

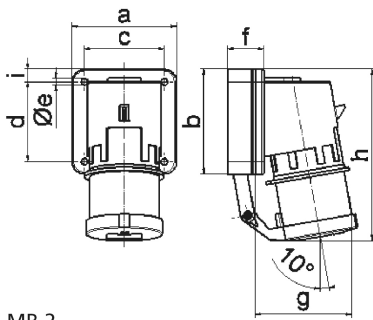
## panel mounting appliance inlet - with hinged cover



Product description	
BALS-Prd.-Nr	2632
EAN	4024941026321
product category (PG)	GT surface mounting appliance inlet
current (A)	16A
number of poles (P99)	4p
number of poles (P)	3P+PE
position of earth contact (H)	10 h
voltage (V)	> 50V
frequency (HZ)	100 up to 300Hz

<b>Product description</b>	
protection degree (SA)	IP44
colour code 1 (KF1)	green RAL 6002
Colour of appliance	Hinged lid grey, Collar green, Enclosure grey
connection design (AT)	screw terminal
maximum conductor size (LQ)	2,5 qmm
cable entry (KE)	null
Height	150mm
Width	75mm
Depth	87mm
Flange size vertical	100mm
Flange size horizontal	75mm
Drill hole distance vertical	74mm
Drill hole distance horizontal	62mm
material of enclosure (GM)	Polyamide
contact	The contact carrier is made of polyamide, The contacts are brass

<b>Additional technical information</b>	
	With hinged lid



5 MB 2

Ampere	16	16	16	32	32	32
Polzahl	3	4	5	3	4	5
a	74,0	75,0	84,0	90,0	90,0	90,0
b	84,0	100,0	84,0	75,0	75,0	75,0
c	58,0	62,0	64,0	78,0	78,0	78,0
d	64,0	74,0	64,0	45,0	45,0	45,0
e ø	5,5	4,3	5,5	5,5	5,5	5,5
f	12,0	12,0	29,0	29,0	29,0	29,0
g	78,0	88,0	105,0	114,0	114,0	115,0
h	134,0	151,0	138,0	149,0	149,0	150,0
i	-	-	-	13,0	13,0	13,0
Leiter mm <sup>2</sup> min	1	1	1	2,5	2,5	2,5
Leiter mm <sup>2</sup> max	2,5	2,5	2,5	6	6	6