

panel mounting appliance inlet - with hinged cover



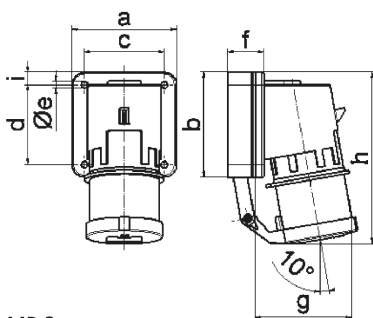
Product description	
BALS-Prd.-Nr	2625
EAN	4024941026253
product category (PG)	GT surface mounting appliance inlet
current (A)	16A
number of poles (P99)	3p
number of poles (P)	2P+PE
position of earth contact (H)	4 h
voltage (V)	100 up to 130V
frequency (HZ)	50 and 60Hz

Product description	
protection degree (SA)	IP44
colour code 1 (KF1)	yellow RAL 1012
Colour of appliance	Collar yellow, Hinged lid grey, Enclosure grey
connection design (AT)	screw terminal
maximum conductor size (LQ)	2,5 qmm
cable entry (KE)	null
Height	132mm
Width	74mm
Depth	80mm
Flange size vertical	84mm
Flange size horizontal	74mm
Drill hole distance vertical	64mm
Drill hole distance horizontal	58mm
material of enclosure (GM)	Polyamide
contact	The contact carrier is made of polyamide, the contacts are brass nickel plated

Additional technical information	
	With hinged lid

Logistics data	
Weight/pcs	0.163 kg / Piece

Logistics data	
Packaging	Bag
Content amount	1 ST
EAN	4024941026253
Length	80 mm
Width	74 mm
Height	132 mm
Weight	0.164 kg
Volume	781.44 ccm
Packaging	Carton
Content amount	10 ST
EAN	4024941833202
Length	245 mm
Width	177 mm
Height	185 mm
Weight	1.763 kg
Volume	7,140 ccm



5 MB 2

Ampere Polzahl	16 3	16 4	16 5	32 3	32 4	32 5
a	74,0	75,0	84,0	90,0	90,0	90,0
b	84,0	100,0	84,0	75,0	75,0	75,0
c	58,0	62,0	64,0	78,0	78,0	78,0
d	64,0	74,0	64,0	45,0	45,0	45,0
e ø	5,5	4,3	5,5	5,5	5,5	5,5
f	12,0	12,0	29,0	29,0	29,0	29,0
g	78,0	88,0	105,0	114,0	114,0	115,0
h	134,0	151,0	138,0	149,0	149,0	150,0
i	-	-	-	13,0	13,0	13,0
Leiter mm ² min	1	1	1	2,5	2,5	2,5
Leiter mm ² max	2,5	2,5	2,5	6	6	6