

## panel mounting appliance inlet - without closure cap

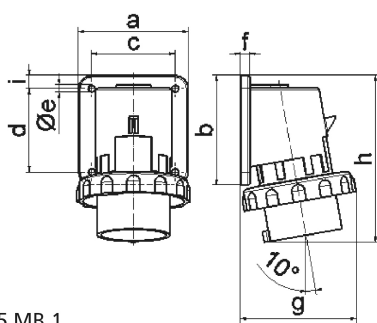


Product description	
BALS-Prd.-Nr	2624
EAN	4024941026246
product category (PG)	GT surface mounting appliance inlet
current (A)	16A
number of poles (P99)	5p
number of poles (P)	3p+N+PE
position of earth contact (H)	6 h
voltage (V)	200/346 up to 240/415V
frequency (HZ)	50 and 60Hz

Product description	
protection degree (SA)	IP67
colour code 1 (KF1)	red RAL 3000
Colour of appliance	Collar red, Bayonet ring grey, Enclosure grey
connection design (AT)	screw terminal
maximum conductor size (LQ)	2,5 qmm
cable entry (KE)	null
Height	129mm
Width	88mm
Depth	89mm
Flange size vertical	84mm
Flange size horizontal	84mm
Drill hole distance vertical	64mm
Drill hole distance horizontal	64mm
material of enclosure (GM)	Polyamide
contact	The contact carrier is made of polyamide, the contacts are brass nickel plated

Logistics data	
Weight/pcs	0.201 kg / Piece
Packaging	Bag
Content amount	1 ST
EAN	4024941026246

Logistics data	
Length	89 mm
Width	88 mm
Height	129 mm
Weight	0.202 kg
Volume	1,010.328 ccm
Packaging	Carton
Content amount	10 ST
EAN	4024941970884
Length	295 mm
Width	185 mm
Height	215 mm
Weight	2.174 kg
Volume	9,975 ccm



5 MB 1

Ampere	16	16	16	32	32	32
Polzahl	3	4	5	3	4	5
a	74,0	75,0	84,0	90,0	90,0	90,0
b	84,0	100,0	84,0	75,0	75,0	75,0
c	58,0	62,0	64,0	78,0	78,0	78,0
d	64,0	74,0	64,0	45,0	45,0	45,0
e ø	5,5	4,3	5,5	5,5	5,5	5,5
f	12,0	12,0	7,0	7,0	7,0	7,0
g	80,0	88,0	90,0	100,0	100,0	101,0
h	128,0	145,0	129,0	138,0	138,0	139,0
i	-	-	10,0	13,0	13,0	13,0
Leiter mm² min	1	1	1	2,5	2,5	2,5
Leiter mm² max	2,5	2,5	2,5	6	6	6