

## panel mounting appliance inlet - without closure cap

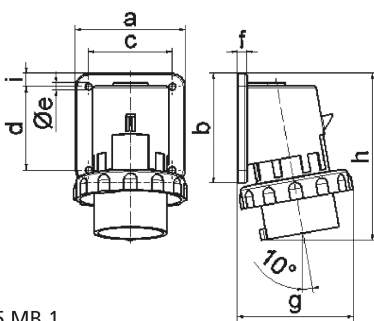


Product description	
BALS-Prd.-Nr	2614
EAN	4024941026147
product category (PG)	GT surface mounting appliance inlet
current (A)	16A
number of poles (P99)	3p
number of poles (P)	2P+PE
position of earth contact (H)	6 h
voltage (V)	200 up to 250V
frequency (HZ)	50 and 60Hz

Product description	
protection degree (SA)	IP67
colour code 1 (KF1)	blue RAL 5015
Colour of appliance	Collar blue, Bayonet ring grey, Enclosure grey
connection design (AT)	screw terminal
maximum conductor size (LQ)	2,5 qmm
cable entry (KE)	null
Height	125mm
Width	74mm
Depth	80mm
Flange size vertical	84mm
Flange size horizontal	74mm
Drill hole distance vertical	64mm
Drill hole distance horizontal	58mm
material of enclosure (GM)	Polyamide
contact	The contact carrier is made of polyamide, the contacts are brass nickel plated

Logistics data	
Weight/pcs	0.159 kg / Piece
Packaging	Bag
Content amount	1 ST
EAN	4024941026147

Logistics data	
Length	80 mm
Width	74 mm
Height	125 mm
Weight	0.16 kg
Volume	740 ccm
Packaging	Carton
Content amount	10 ST
EAN	4024941968980
Length	245 mm
Width	177 mm
Height	185 mm
Weight	1.723 kg
Volume	7,140 ccm



5 MB 1

Ampere	16	16	16	32	32	32
Polzahl	3	4	5	3	4	5
a	74,0	75,0	84,0	90,0	90,0	90,0
b	84,0	100,0	84,0	75,0	75,0	75,0
c	58,0	62,0	64,0	78,0	78,0	78,0
d	64,0	74,0	64,0	45,0	45,0	45,0
e ø	5,5	4,3	5,5	5,5	5,5	5,5
f	12,0	12,0	7,0	7,0	7,0	7,0
g	80,0	88,0	90,0	100,0	100,0	101,0
h	128,0	145,0	129,0	138,0	138,0	139,0
i	-	-	10,0	13,0	13,0	13,0
Leiter mm <sup>2</sup> min	1	1	1	2,5	2,5	2,5
Leiter mm <sup>2</sup> max	2,5	2,5	2,5	6	6	6