

panel mounting appliance inlet - with closure cap

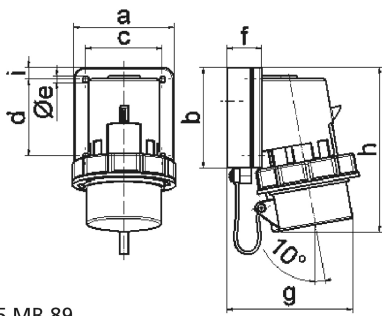


Product description	
BALS-Prd.-Nr	26057
EAN	4024941260572
product category (PG)	TE surface mounting appliance inlet Quick-Connect
current (A)	32A
number of poles (P99)	5p
number of poles (P)	3p+N+PE
position of earth contact (H)	6 h
voltage (V)	200/346 up to 240/415V
frequency (HZ)	50 and 60Hz

Product description	
protection degree (SA)	IP67
colour code 1 (KF1)	red RAL 3000
Colour of appliance	Closure cap grey RAL 7035, Collar red RAL 3000, Bayonet ring grey RAL 7035, Enclosure grey RAL 7035
connection design (AT)	screwless spring-clamp
maximum conductor size (LQ)	6,0 qmm
cable entry (KE)	null
Height	148mm
Width	100mm
Depth	123mm
Flange size vertical	75mm
Flange size horizontal	90mm
Drill hole distance vertical	45mm
Drill hole distance horizontal	78mm
material of enclosure (GM)	Polyamide
contact	The contact carrier is made of high temperature resistant material, the contacts are brass nickel plated

Additional technical information	
	With closure cap

Logistics data	
Weight/pcs	0.402 kg / Piece
Packaging	Bag
Content amount	1 ST
EAN	4024941260572
Length	123 mm
Width	100 mm
Height	148 mm
Weight	0.403 kg
Volume	1,820.4 ccm
Packaging	Carton
Content amount	10 ST
EAN	4024941962100
Length	330 mm
Width	216 mm
Height	260 mm
Weight	4.246 kg
Volume	17,062.5 ccm



5 MB 89

Ampere	16	32				
Polzahl	5	5				
a	84,0	90,0				
b	84,0	75,0				
c	64,0	78,0				
d	64,0	45,0				
e ø	5,5	5,5				
f	28,0	28,0				
g	111,0	123,0				
h	137,0	148,0				
i	10,0	13,0				
Leiter mm ² min	1	2,5				
Leiter mm ² max	2,5	6				