

panel mounting appliance inlet - with closure cap



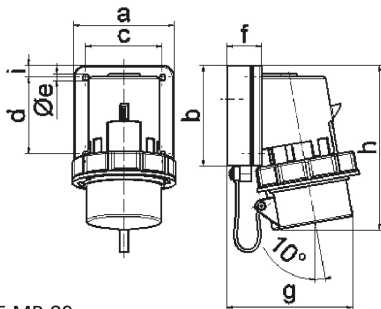
Product description	
BALS-Prd.-Nr	26056
EAN	4024941260565
product group	TE surface mounting appliance inlet Quick-Connect
current	16A
number of poles	5p
Arrangement of the phases	3p+N+PE
position of earth contact	6 h
voltage (V)	200/346 up to 240/415V
frequency	50 and 60Hz

Product description	
protection degree	IP67
colour code	red RAL 3000
Colour of appliance	Closure cap grey, Collar red, Bayonet ring grey, Enclosure grey
connection design	screwless spring-clamp
maximum conductor size (LQ)	2,5 qmm
cable entry (KE)	null
Height	138mm
Width	87mm
Depth	111mm
Flange size vertical	84mm
Flange size horizontal	84mm
Drill hole distance vertical	64mm
Drill hole distance horizontal	64mm
material of enclosure	Polyamide
contact	The contact carrier is made of high temperature resistant material, the contacts are brass nickel plated

Additional technical information	
	With closure cap

Logistics data	
Weight/pcs	0.313 kg / Piece

Logistics data	
Packaging	Bag
Content amount	1 ST
EAN	4024941260565
Length	111 mm
Width	87 mm
Height	138 mm
Weight	0.314 kg
Volume	1,332.666 ccm
Packaging	Carton
Content amount	10 ST
EAN	4024941833011
Length	325 mm
Width	217 mm
Height	210 mm
Weight	3.336 kg
Volume	13,588.4 ccm



5 MB 89

Ampere	16	32				
Polzahl	5	5				
a	84,0	90,0				
b	84,0	75,0				
c	64,0	78,0				
d	64,0	45,0				
e ø	5,5	5,5				
f	28,0	28,0				
g	111,0	123,0				
h	137,0	148,0				
i	10,0	13,0				
Leiter mm ² min	1	2,5				
Leiter mm ² max	2,5	6				