

panel mounting appliance inlet - without closure cap

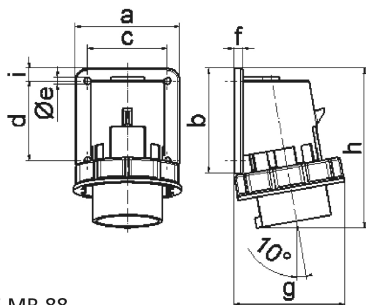


Product description	
BALS-Prd.-Nr	26054
EAN	4024941260541
product category (PG)	TE surface mounting appliance inlet Quick-Connect
current (A)	16A
number of poles (P99)	5p
number of poles (P)	3p+N+PE
position of earth contact (H)	6 h
voltage (V)	200/346 up to 240/415V
frequency (HZ)	50 and 60Hz

Product description	
protection degree (SA)	IP67
colour code 1 (KF1)	red RAL 3000
Colour of appliance	Collar red RAL 3000, Bayonet ring grey RAL 7035, Enclosure grey RAL 7035
connection design (AT)	screwless spring-clamp
maximum conductor size (LQ)	2,5 qmm
cable entry (KE)	null
Height	129mm
Width	87mm
Depth	89mm
Flange size vertical	84mm
Flange size horizontal	84mm
Drill hole distance vertical	64mm
Drill hole distance horizontal	64mm
material of enclosure (GM)	Polyamide
contact	The contact carrier is made of high temperature resistant material, the contacts are brass nickel plated

Logistics data	
Weight/pcs	0.21 kg / Piece
Packaging	Bag
Content amount	1 ST

Logistics data	
EAN	4024941260541
Length	89 mm
Width	87 mm
Height	129 mm
Weight	0.211 kg
Volume	998.847 ccm
Packaging	Carton
Content amount	10 ST
EAN	4024941833004
Length	295 mm
Width	185 mm
Height	215 mm
Weight	2.264 kg
Volume	9,975 ccm



5 MB 88

Ampere	16	32				
Polzahl	5	5				
a	84,0	90,0				
b	84,0	75,0				
c	64,0	78,0				
d	64,0	45,0				
e ø	5,5	5,5				
f	7,0	7,0				
g	90,0	101,0				
h	129,0	139,0				
i	10,0	13,0				
Leiter mm ² min	1	2,5				
Leiter mm ² max	2,5	6				