

panel mounting appliance inlet - with hinged cover



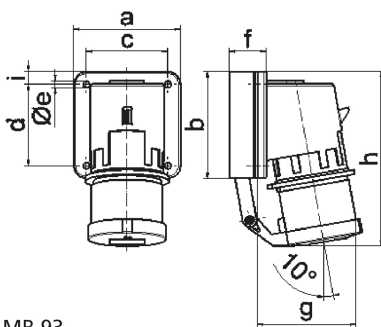
Product description	
BALS-Prd.-Nr	26053
EAN	4024941260534
product group	TE surface mounting appliance inlet Quick-Connect
current	32A
number of poles	5p
Arrangement of the phases	3p+N+PE
position of earth contact	6 h
voltage (V)	200/346 up to 240/415V
frequency	50 and 60Hz

Product description	
protection degree	IP44
colour code	red RAL 3000
Colour of appliance	Hinged lid grey, Collar red, Enclosure grey
connection design	screwless spring-clamp
maximum conductor size (LQ)	6,0 qmm
cable entry (KE)	null
Height	148mm
Width	90mm
Depth	116mm
Flange size vertical	75mm
Flange size horizontal	90mm
Drill hole distance vertical	45mm
Drill hole distance horizontal	78mm
material of enclosure	Polyamide
contact	The contact carrier is made of high temperature resistant material, the contacts are brass nickel plated

Additional technical information	
	With hinged lid

Logistics data	
Weight/pcs	0.337 kg / Piece

Logistics data	
Packaging	Bag
Content amount	1 ST
EAN	4024941260534
Length	89 mm
Width	90 mm
Height	139 mm
Weight	0.338 kg
Volume	1,113.39 ccm
Packaging	Carton
Content amount	10 ST
EAN	4024941823067
Length	325 mm
Width	217 mm
Height	210 mm
Weight	3.576 kg
Volume	13,588.4 ccm



5 MB 93

Ampere	16	32				
Polzahl	5	5				
a	84,0	90,0				
b	84,0	75,0				
c	64,0	78,0				
d	64,0	45,0				
e ø	5,5	5,5				
f	29,0	29,0				
g	105,0	115,0				
h	138,0	150,0				
i	10,0	13,0				
Leiter mm ² min	1	2,5				
Leiter mm ² max	2,5	6				