

panel mounting appliance inlet - without hinged cover

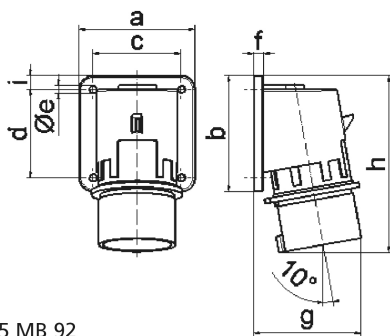


Product description	
BALS-Prd.-Nr	26051
EAN	4024941260510
product group	TE surface mounting appliance inlet Quick-Connect
current	32A
number of poles	5p
Arrangement of the phases	3p+N+PE
position of earth contact	6 h
voltage (V)	200/346 up to 240/415V
frequency	50 and 60Hz

Product description	
protection degree	IP44
colour code	red RAL 3000
Colour of appliance	Collar red, Enclosure grey
connection design	screwless spring-clamp
maximum conductor size (LQ)	6,0 qmm
cable entry (KE)	null
Height	139mm
Width	90mm
Depth	89mm
Flange size vertical	75mm
Flange size horizontal	90mm
Drill hole distance vertical	45mm
Drill hole distance horizontal	78mm
material of enclosure	Polyamide
contact	The contact carrier is made of high temperature resistant material, the contacts are brass nickel plated

Logistics data	
Weight/pcs	0.242 kg / Piece
Packaging	Bag
Content amount	1 ST
EAN	4024941260510

Logistics data	
Length	89 mm
Width	90 mm
Height	139 mm
Weight	0.243 kg
Volume	1,113.39 ccm
Packaging	Carton
Content amount	10 ST
EAN	4024941958202
Length	295 mm
Width	185 mm
Height	215 mm
Weight	2.584 kg
Volume	9,975 ccm



5 MB 92

Ampere	16	32				
Polzahl	5	5				
a	84,0	90,0				
b	84,0	75,0				
c	64,0	78,0				
d	64,0	45,0				
e ø	5,5	5,5				
f	7,0	7,0				
g	78,0	88,0				
h	129,0	139,0				
i	10,0	13,0				
Leiter mm ² min	1	2,5				
Leiter mm ² max	2,5	6				