

panel mounting appliance inlet - with closure cap



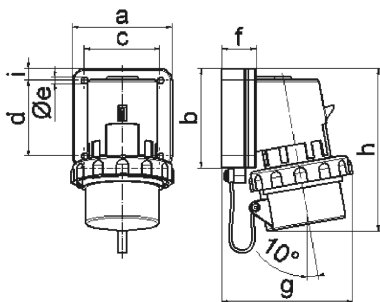
Product description	
BALS-Prd.-Nr	2604
EAN	4024941026048
product category (PG)	GT surface mounting appliance inlet
current (A)	32A
number of poles (P99)	5p
number of poles (P)	3p+N+PE
position of earth contact (H)	6 h
voltage (V)	200/346 up to 240/415V
frequency (HZ)	50 and 60Hz

Product description	
protection degree (SA)	IP67
colour code 1 (KF1)	red RAL 3000
Colour of appliance	Closure cap grey, Collar red, Bayonet ring grey, Enclosure grey
connection design (AT)	screw terminal
maximum conductor size (LQ)	6,0 qmm
cable entry (KE)	null
Height	144mm
Width	100mm
Depth	125mm
Flange size vertical	75mm
Flange size horizontal	90mm
Drill hole distance vertical	45mm
Drill hole distance horizontal	78mm
material of enclosure (GM)	Polyamide
contact	The contact carrier is made of polyamide, the contacts are brass nickel plated

Additional technical information	
	With closure cap

Logistics data	
Weight/pcs	0.404 kg / Piece

Logistics data	
Packaging	Bag
Content amount	1 ST
EAN	4024941026048
Length	125 mm
Width	100 mm
Height	144 mm
Weight	0.405 kg
Volume	1,800 ccm
Packaging	Carton
Content amount	10 ST
EAN	4024941968973
Length	330 mm
Width	216 mm
Height	260 mm
Weight	4.266 kg
Volume	17,062.5 ccm



5 MB 3

Ampere	16	16	16	32	32	32
Polzahl	3	4	5	3	4	5
a	74,0	75,0	84,0	90,0	90,0	90,0
b	84,0	100,0	84,0	75,0	75,0	75,0
c	58,0	62,0	64,0	78,0	78,0	78,0
d	64,0	74,0	64,0	45,0	45,0	45,0
e ø	5,5	4,3	5,5	5,5	5,5	5,5
f	12,0	12,0	29,0	29,0	29,0	29,0
g	80,0	88,0	111,0	123,0	123,0	123,0
h	133,0	152,0	134,0	147,0	147,0	148,0
i	-	-	10,0	13,0	13,0	13,0
Leiter mm ² min	1	1	1	2,5	2,5	2,5
Leiter mm ² max	2,5	2,5	2,5	6	6	6