

phase inverter, as wall panel mounting appliance inlet -  
with hinged cover



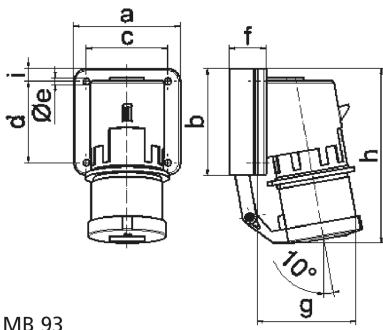
| Product description       |                                                       |
|---------------------------|-------------------------------------------------------|
| BALS-Prd.-Nr              | 26020                                                 |
| EAN                       | 4024941260206                                         |
| product category          | GT phase inverter as surface mounting appliance inlet |
| current                   | 16A                                                   |
| number of poles           | 5p                                                    |
| number of poles           | 3p+N+PE                                               |
| position of earth contact | 6 h                                                   |
| voltage                   | 200/346 up to 240/415V                                |

| <b>Product description</b>     |                                                                                |
|--------------------------------|--------------------------------------------------------------------------------|
| frequency                      | 50 and 60Hz                                                                    |
| protection degree              | IP44                                                                           |
| colour code                    | red RAL 3000                                                                   |
| Colour of appliance            | Hinged lid grey, Collar red, Enclosure grey                                    |
| connection design              | screw terminal                                                                 |
| maximum conductor size         | 2,5 qmm                                                                        |
| cable entry                    | null                                                                           |
| Height                         | 138mm                                                                          |
| Width                          | 84mm                                                                           |
| Depth                          | 105mm                                                                          |
| Flange size vertical           | 84mm                                                                           |
| Flange size horizontal         | 84mm                                                                           |
| Drill hole distance vertical   | 64mm                                                                           |
| Drill hole distance horizontal | 64mm                                                                           |
| material of enclosure          | Polyamide                                                                      |
| contact                        | The contact carrier is made of polyamide, the contacts are brass nickel plated |

| <b>Additional technical information</b> |                 |
|-----------------------------------------|-----------------|
|                                         | With hinged lid |

| Logistics data |                  |
|----------------|------------------|
| Weight/pcs     | 0.274 kg / Piece |
| Packaging      | Bag              |
| Content amount | 1 ST             |
| EAN            | 4024941260206    |
| Length         | 105 mm           |
| Width          | 84 mm            |
| Height         | 138 mm           |
| Weight         | 0.275 kg         |
| Volume         | 1,217.16 ccm     |
| Packaging      | Carton           |
| Content amount | 10 ST            |
| EAN            | 4024941834346    |
| Length         | 325 mm           |
| Width          | 217 mm           |
| Height         | 210 mm           |
| Weight         | 2.946 kg         |
| Volume         | 13,588.4 ccm     |



|                            |       |       |  |  |  |  |
|----------------------------|-------|-------|--|--|--|--|
| Ampere                     | 16    | 32    |  |  |  |  |
| Polzahl                    | 5     | 5     |  |  |  |  |
| a                          | 84,0  | 90,0  |  |  |  |  |
| b                          | 84,0  | 75,0  |  |  |  |  |
| c                          | 64,0  | 78,0  |  |  |  |  |
| d                          | 64,0  | 45,0  |  |  |  |  |
| e ø                        | 5,5   | 5,5   |  |  |  |  |
| f                          | 29,0  | 29,0  |  |  |  |  |
| g                          | 105,0 | 115,0 |  |  |  |  |
| h                          | 138,0 | 150,0 |  |  |  |  |
| i                          | 10,0  | 13,0  |  |  |  |  |
| Leiter mm <sup>2</sup> min | 1     | 2,5   |  |  |  |  |
| Leiter mm <sup>2</sup> max | 2,5   | 6     |  |  |  |  |
|                            |       |       |  |  |  |  |
|                            |       |       |  |  |  |  |

5 MB 93