

# panel mounting appliance inlet - 7 poles without closure cap

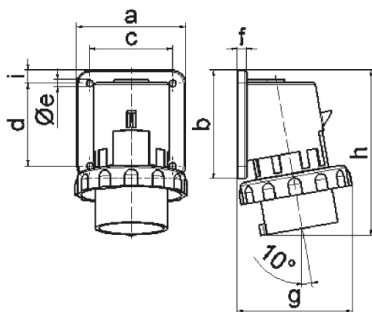


Product description	
BALS-Prd.-Nr	26003
EAN	4024941260039
Product category	TE surface mounting appliance inlet
Current	16A
Number of poles	7p
Number of poles	6p+PE
Position of earth contact	9 h
Voltage	230V

Product description	
Frequency	50 and 60Hz
Protection degree	IP67
Colour code	blue RAL 5015
Colour of appliance	Collar blue RAL 5015, Bayonet ring grey RAL 7035, Enclosure grey RAL 7035
Connection design	with screw terminal
Maximum conductor size	2,5 qmm
Cable entry	null
Height	129mm
Width	88mm
Depth	89mm
Flange size vertical	84mm
Flange size horizontal	84mm
Drill hole distance vertical	64mm
Drill hole distance horizontal	64mm
Material of enclosure	Polyamide
Contact	The contact carrier is made of high temperature resistant material, the contacts are brass nickel plated

Logistics data	
Weight/pcs	0.247 kg / Piece
Packaging	Bag

Logistics data	
Content amount	1 ST
EAN	4024941260039
Length	89 mm
Width	88 mm
Height	129 mm
Weight	0.248 kg
Volume	1,010.328 ccm
Packaging	Carton
Content amount	10 ST
EAN	4024941823005
Length	295 mm
Width	185 mm
Height	215 mm
Weight	2.634 kg
Volume	9,975 ccm



5 MB 182

Ampere	16	32					
Polzahl	7	7					
a	84,0	90,0					
b	84,0	75,0					
c	64,0	78,0					
d	64,0	45,0					
e ø	5,5	5,5					
f	7,0	7,0					
g	90,0	101,0					
h	129,0	139,0					
i	10,0	13,0					
Leiter mm <sup>2</sup> min	1	2,5					
Leiter mm <sup>2</sup> max	2,5	6					