

wall mounting appliance inlet - with closure cap



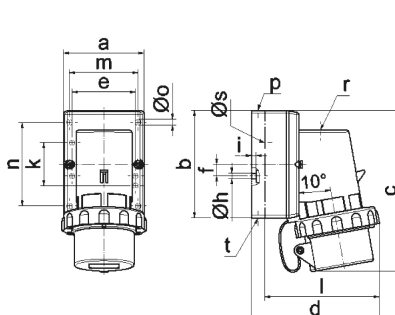
Product description	
BALS-Prd.-Nr	2486
EAN	4024941024860
product category (PG)	GT wall mounting appliance inlet
current (A)	16A
number of poles (P99)	3p
number of poles (P)	2P+PE
position of earth contact (H)	9 h
voltage (V)	380 up to 415V
frequency (HZ)	50 and 60Hz

Product description	
protection degree (SA)	IP67
colour code 1 (KF1)	red RAL 3000
Colour of appliance	Closure cap grey, Collar red, Bayonet ring grey, Housing bottom grey, Housing top grey
connection design (AT)	screw terminal
maximum conductor size (LQ)	2,5 qmm
cable entry (KE)	top entry M20
Height	138mm
Width	70mm
Depth	112mm
dimension of enclosure (GG)	87x64 mm (HxW)
material of enclosure (GM)	Polyamide
contact	The contact carrier is made of polyamide, the contacts are brass nickel plated

Additional technical information	
	The cable entry is one at top open and one at bottom and one rear side closed
	With closure cap

Logistics data	
Weight/pcs	0.26 kg / Piece
Packaging	Bag
Content amount	1 ST

Logistics data	
EAN	4024941024860
Length	112 mm
Width	70 mm
Height	138 mm
Weight	0.261 kg
Volume	1,081.92 ccm
Packaging	Carton
Content amount	10 ST
EAN	4024941832861
Length	325 mm
Width	217 mm
Height	210 mm
Weight	2.806 kg
Volume	13,588.4 ccm



5 MB 127

Ampere	16	16	16	32	32	32
Polzahl	3	4	5	3	4	5
a	64,0	75,0	84,0	90,0	90,0	90,0
b	87,0	100,0	84,0	75,0	75,0	75,0
c	137,0	151,0	137,0	147,0	147,0	148,0
d	112,0	119,0	-	122,0	122,0	123,0
e	51,0	59,0	-	-	-	-
f	-	11,0	-	-	-	-
h	4,1	5,1	-	-	-	-
i	4,5	4,5	-	-	-	-
k	40,0	-	-	-	-	-
l	-	-	111,0	-	-	-
m	-	-	64,0	78,0	78,0	78,0
n	-	-	64,0	45,0	45,0	45,0
o	-	-	5,5	5,5	5,5	5,5
p	M20	M20	-	-	-	-
r	-	-	M20	M25	M25	M25
s	-	-	23,0	29,0	29,0	29,0
t	für M20	für M20	-	-	-	-