

## wall mounting appliance inlet - with hinged cover



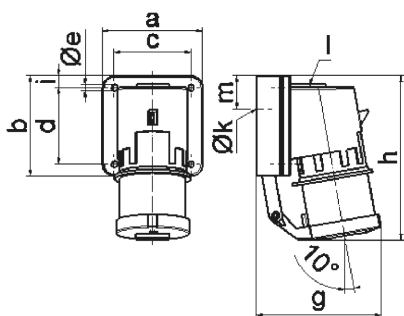
Product description	
BALS-Prd.-Nr	2471
EAN	4024941024716
product category (PG)	GT wall mounting appliance inlet
current (A)	16A
number of poles (P99)	5p
number of poles (P)	3p+N+PE
position of earth contact (H)	6 h
voltage (V)	200/346 up to 240/415V
frequency (HZ)	50 and 60Hz

Product description	
protection degree (SA)	IP44
colour code 1 (KF1)	red RAL 3000
Colour of appliance	Hinged lid grey, Collar red, Housing bottom grey, Housing top grey
connection design (AT)	screw terminal
maximum conductor size (LQ)	2,5 qmm
cable entry (KE)	top entry M20
Height	138mm
Width	84mm
Depth	105mm
dimension of enclosure (GG)	84x84 mm
material of enclosure (GM)	Polyamide
contact	The contact carrier is made of polyamide, The contacts are brass

Additional technical information	
	The cable entry is one at top open and one rear sided closed
	With hinged lid

Logistics data	
Weight/pcs	0.269 kg / Piece
Packaging	Bag
Content amount	1 ST

Logistics data	
EAN	4024941024716
Length	105 mm
Width	84 mm
Height	138 mm
Weight	0.27 kg
Volume	1,217.16 ccm
Packaging	Carton
Content amount	10 ST
EAN	4024941968645
Length	325 mm
Width	217 mm
Height	210 mm
Weight	2.896 kg
Volume	13,588.4 ccm



5 MB 12

Ampere Polzahl	16 5	32 3	32 4	32 5
a	84,0	90,0	90,0	90,0
b	84,0	75,0	75,0	75,0
c	64,0	78,0	78,0	78,0
d	64,0	45,0	45,0	45,0
e ø	5,5	5,5	5,5	5,5
g	105,0	114,0	114,0	115,0
h	138,0	149,0	149,0	150,0
i	10,0	13,0	13,0	13,0
k ø	23,0	29,0	29,0	29,0
l	M20	M25	M25	M25
m	28,0	27,0	27,0	27,0
Leiter mm <sup>2</sup> min	1	2,5	2,5	2,5
Leiter mm <sup>2</sup> max	2,5	6	6	6